

DELPHI IP20 GU10 LED LAMPS

Generally used in attractive GU10 downlights which can number over 30 in many modern households, these dimmable and non-dimmable LED lamps are available in a range of light colour temperatures to suit the use of the area being illuminated. Compared to GU10 Halogen, they are the same physical size, provide more light, have 10-15 times longer Rated Life and use 90% less energy which can mean savings of almost £350* in electricity costs alone

*Based on 30 fittings, 5 hr/day, 7 days/wk, 52 weeks/yr @14p/unit

**Applications:**

- All rooms in the home including bathroom, dining room, kitchen, bedroom, study and lounge
- Shop Window Displays
- Hotel Function Rooms & Receptions
- Commercial office buildings
- Bars & Restaurants
- Track fittings
- Retail showrooms

Construction:

Polycarbonate diffuser with integral moulded LEDChroic lens
 Polycarbonate body
 Aluminium & FR4 laminate PCB

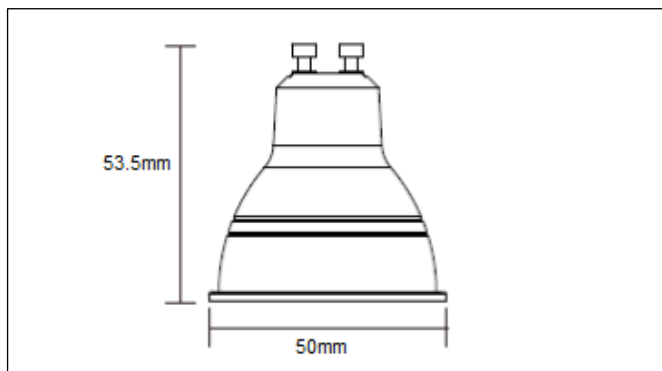
Features and Benefits:

- The range consists of 2,700K, 3,000K and 4,000K CCT which provides alternative colour temperatures applicable to the use of the lit space
 - The lamps are available in 4.5W non-dimmable and 5W dimmable to provide a constant working light level or dimmed ambience using dimmers from the approved compatibility list
 - They are manufactured from heat dissipating polycarbonate to ensure the lamp recommended operating temperature is not exceeded to provide long life
 - The polycarbonate LEDChroic lens and diffuser provides a twinkling aesthetic and beam angle of 35 degrees, similar to halogen lamps, and is the same dimensional footprint so will provide a great retro-fit solution
 - High quality LM80 and TM21 tested SMD LED's demonstrate the lamps to have a consistent Lumen output and Colour Temperature over a long Rated LED Life
 - Low power consumption with high lumen output provide a one for one Halogen replacement whilst making huge energy savings
 - Emits minimum heat and no ultra violet in the light beam so less cooling is required and is less attractive to flying insects in the warmer months
- They are also ideal for use in retail environments for highlighting clothing and jewellery displays without causing fading or tarnishing
- Has a wide operating temperature range so is less affected by high ambient temperatures for longer life
 - Uses solid state technology without a sealed glass bulb containing an inert gas, filaments or electrodes
- This means that it is rugged and less susceptible to building vibration damage caused by traffic or machinery
- It also makes it compatible with most mains voltage sensor controls which switch lighting on and off after short delay times
- It has fewer failures due to heating and cooling cycles causing material expansion and contraction
- All of these features and benefits contribute to long life, making additional energy savings and reducing costly and inconvenient premature lamp failures

DELPHI IP20 GU10 LED LAMPS

Product Code:	RDH4P530	RDH4P540	RDH5P027DU	RDH5P030DU	RDH5P040DU
Dimmable:*	N	N	Y	Y	Y
Comparable to:	50W Halogen	50W Halogen	50W Halogen	50W Halogen	50W Halogen
Total Power (W):	4.2	4.3	4.9	4.9	4.9
Power Factor (PF):	0.5	0.5	0.9	0.9	0.9
Total Light Output (lm):	420	450	460	450	470
Efficacy (lm / cctW):	102	105	94	92	96
Illuminance at 1m (lux):	640	710	700	710	740
Beam Angle (deg):	35	35	35	35	35
CCT (K):	3,000	4,000	2,700	3,000	4,000
CRI (Ra):	80	80	80	80	80
Rated Life (hrs):	25,000	25,000	25,000	25,000	25,000
Warranty (yrs):	2	2	2	2	2
Ingress Protection (IP):	20	20	20	20	20
Operating Temperature (°C):	-20 ≤ t ≤ +40	-20 ≤ t ≤ +40	-20 ≤ t ≤ +40	-20 ≤ t ≤ +40	-20 ≤ t ≤ +40
Operating Voltage (Vac):	220-240	220-240	220-240	220-240	220-240
Diameter (mm):	50	50	50	50	50
Depth (mm):	53.5	53.5	53.5	53.5	53.5
Box Qty:	1	1	1	1	1
Weight (kg):	0.03	0.03	0.04	0.04	0.04

*See Dimmer Compatibility List on Website



Standards & Approvals:

Complies with: EN 55015, EN 61547, EN 61000-3-2, EN 61000-3-3, EN 62560, EN 62471, EN 62493

Cone Illuminance Diagram:

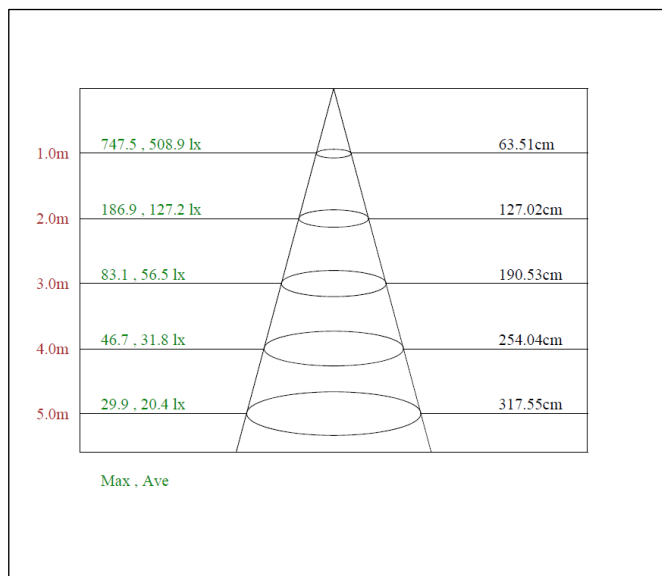
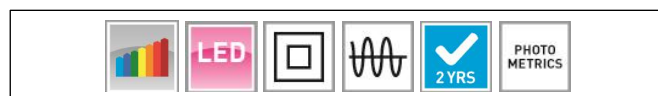


Diagram for RDH5P040DU in 4,000K. Other diagrams available on request



Polar Intensity Diagram:

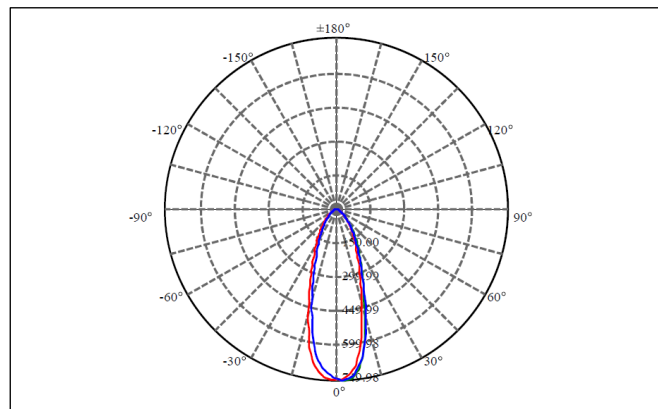


Diagram for RDH5P040DU in 4,000K. Other diagrams available on request