



## **KFDL05DIM**

Erta, 5W LED Fire Rated Downlight



## **Product Overview**

The Kosnic 5W Dimmable Fire Rated Downlights are suitable for 30, 60 and 90 minute applications and may be installed under insulation. These compact downlights can be dimmed with mains dimmer switches. The range is available in white and satin chrome bezel finishes.

# Features

Dimmable

IP65

Class I built-in driver

BS 476 Part 21 / BS EN 1365-2 Fire-Rated to 30, 60 and 90 minutes

Compatible with Kosnic's emergency module

Can be installed under insulation

High lumen output.

Long life of 30,000h.

Instant start.

Negligible UV output.

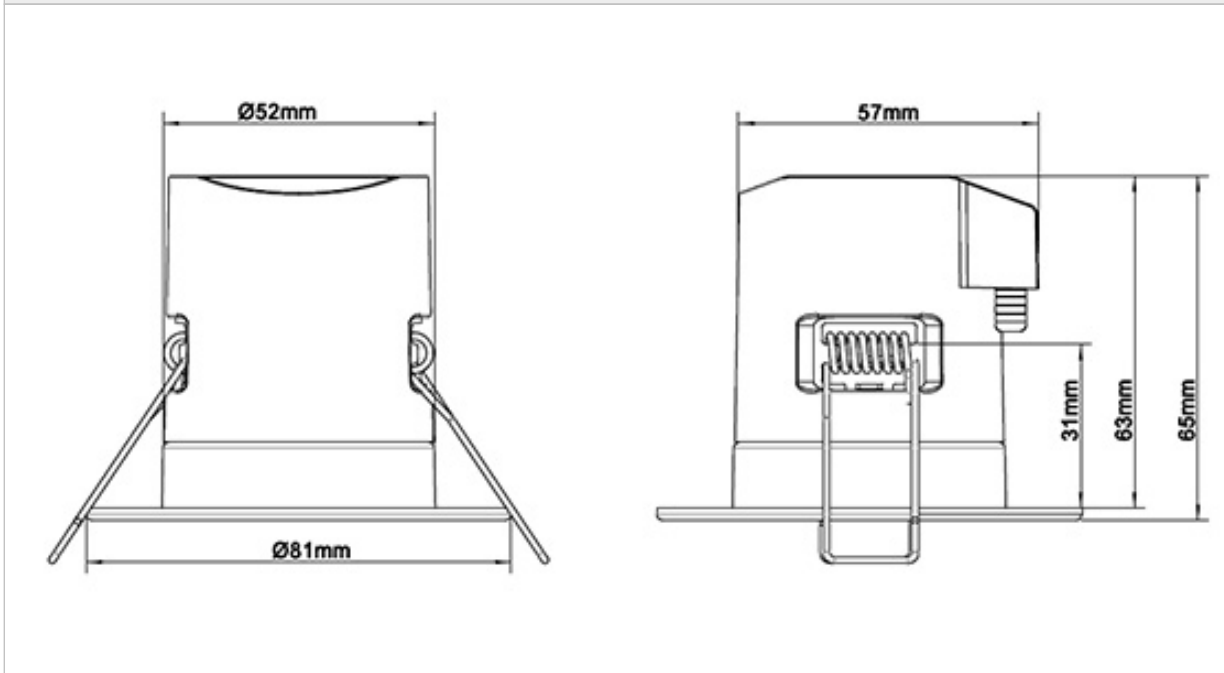
Mercury free.

# Specifications

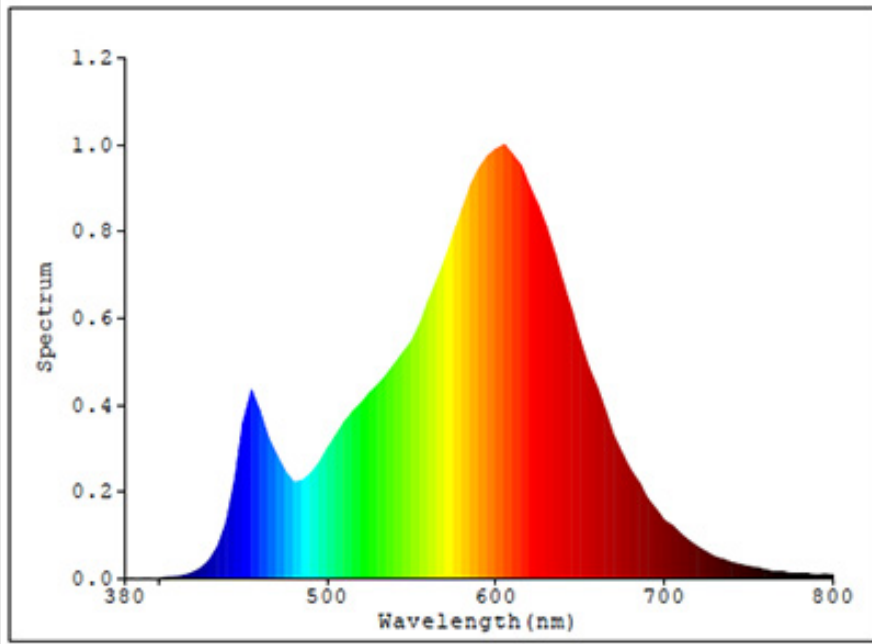
	KFDL05DIM/S30-WHT <sup>[1]</sup>	KFDL05DIM/S40-WHT <sup>[1]</sup>	KFDL05DIM/S65-WHT <sup>[1]</sup>
	KFDL05DIM/S30-SCH <sup>[2]</sup>	KFDL05DIM/S40-SCH <sup>[2]</sup>	KFDL05DIM/S65-SCH <sup>[2]</sup>
<b>Colour Finish</b>	White <sup>[1]</sup> Satin Chrome <sup>[2]</sup>	White <sup>[1]</sup> Satin Chrome <sup>[2]</sup>	White <sup>[1]</sup> Satin Chrome <sup>[2]</sup>
<b>Power (W)</b>	5	5	5
<b>Current (mA)</b>	24	24	24
<b>Voltage</b>	220-240 Vac 50-60 Hz	220-240 Vac 50-60 Hz	220-240 Vac 50-60 Hz
<b>Luminous Flux</b>	450	470	500
<b>CCT Temperature (k)</b>	3000	4000	6500
<b>CCT Name</b>	Warm White	Cool White	Daylight
<b>Switch Cycles</b>	15,000	15,000	15,000
<b>Beam Angle (°)</b>	45	45	45
<b>CRI</b>	> 80	> 80	> 80
<b>Dimmable</b>	Yes	Yes	Yes
<b>Power Factor</b>	0.89	0.89	0.89
<b>IP Rating</b>	IP65	IP65	IP65
<b>Class Protection</b>	Class I	Class I	Class I
<b>Connection</b>	Wiring Terminals	Wiring Terminals	Wiring Terminals
<b>Warm-up Time (s)</b>	Instant full light	Instant full light	Instant full light
<b>Depth (mm)</b>	65	65	65
<b>Diameter (mm)</b>	81	81	81
<b>Cut-out (mm)</b>	64	64	64
<b>LMF at Lifetime</b>	0.70	0.70	0.70
<b>SDCM of CCT</b>	< 6	< 6	< 6
<b>Ambient Temperature (°C)</b>	-30 to 40	-30 to 40	-30 to 40

<b>Compatible Emergency Module</b>	CEL03LIC/N	CEL03LIC/N	CEL03LIC/N
<b>Emergency Luminous Flux (lm)</b>	260	260	260
<b>Lifetime (h)</b>	30,000	30,000	30,000

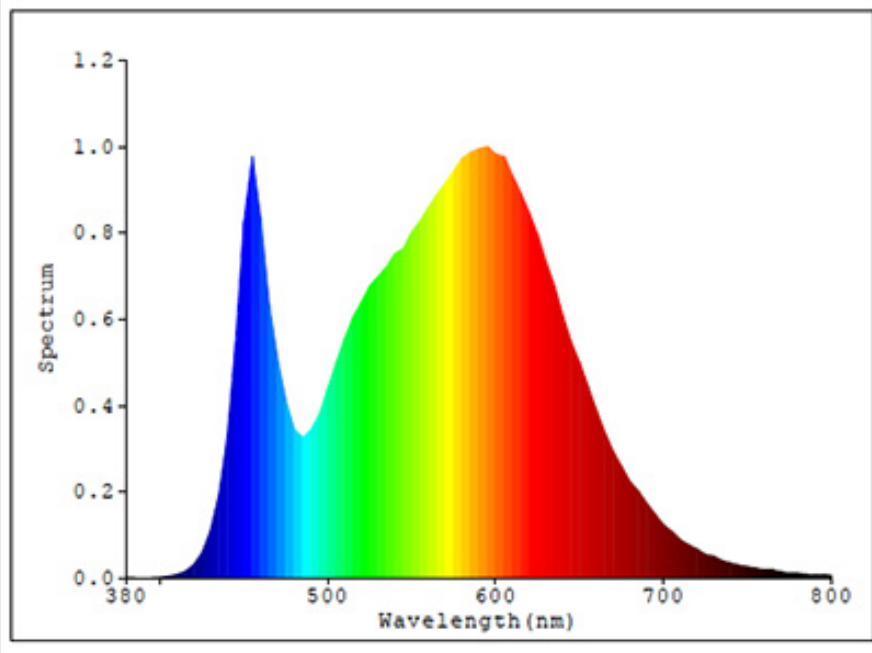
KFDL05DIM/S30-WHT  
 KFDL05DIM/S40-WHT  
 KFDL05DIM/S65-WHT  
 KFDL05DIM/S30-SCH  
 KFDL05DIM/S40-SCH  
 KFDL05DIM/S65-SCH



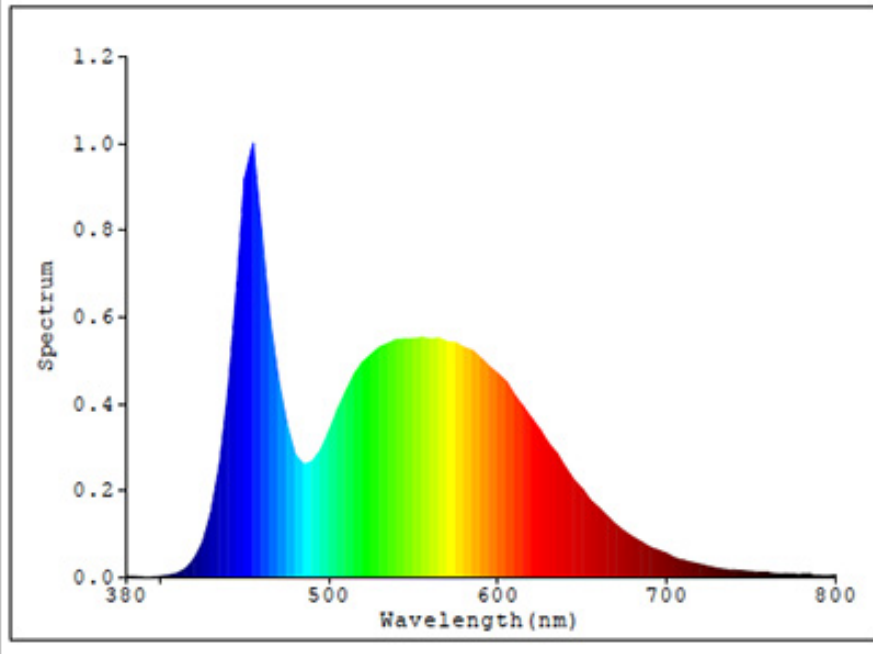
KFDL05DIM/S30-WHT  
KFDL05DIM/S30-SCH



KFDL05DIM/S40-WHT  
KFDL05DIM/S40-SCH



KFDL05DIM/S65-WHT  
KFDL05DIM/S65-SCH



Datasheet generated from <https://onetimepim.com> last updated Wednesday, October 21, 2020 8:17:09 AM