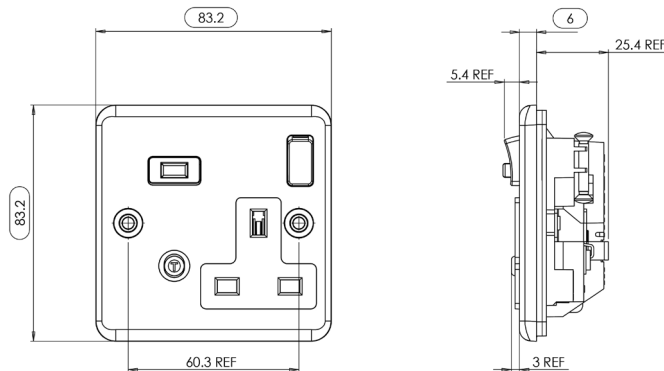


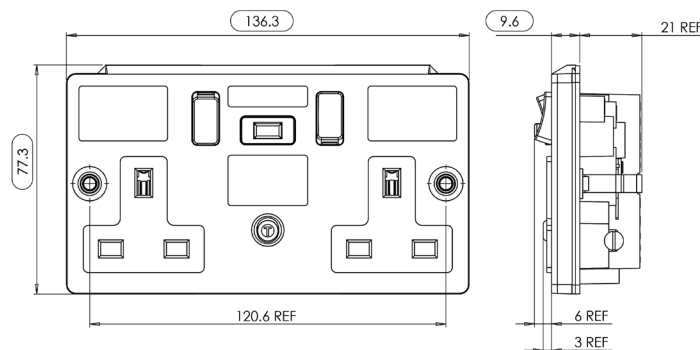
RCD Panel Mounting Sockets - 30mA Passive

-PowerBreaker-

- + Mechanically latched (does not need resetting after a power loss)
- + Red & Green dual flag system to show power on/off
- + High intensity LED power on indicator
- + Cuts the power for added protection against electrocution
- + K22S-WP has Twin earth terminals



K21S-WP



K22S-WP

Type A RCD
BS 7288-2016+A1:2022

	K21S-WP	K22S-WP
Product Finish	White	
Barcode	5012739646829	5012739646836
Product Weight	130g	191g
Product Dimensions	83.2 x 83.2 x 30.8mm	136.3 x 77.3 x 30.6mm
Voltage	230V AC ~ 50Hz	
Max Operating Current	13A (13A Inductive)	
IP Rating	IP40	
Rated Trip Current	30mA	
Typical Trip Speed	Less than 20ms (typical)	
RCD Contact Break	Double Pole	
Rated Short Circuit Breaking & Making Capacity	250A	
Rated Conditional Short-Circuit Current	1500A Power Factor Range .93 to .98	
Latching	Mechanical - No need to reset after Power Loss (Passive)	
Responsive To	Pulsating DC earth faults	
Main Housing Material	Polycarbonate	
Guarantee	3 Years	
Conforms To	BS 7288-2016+A1:2022, BS1363-2:2016+A1:2018	

TECHNICAL DATA SHEET

GREEN BROOK
ELECTRICAL

Tel: 01279 772 772

Fax: 01279 422 007

Email: sales@greenbrook.co.uk

www.greenbrook.co.uk

