

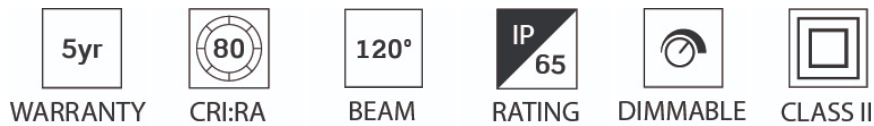
# JC72507

## Skydisc IP65

Skydisc IP65 17W 4700K 1700Lm

### Features & Benefits

- Polycarbonate construction
- Triac dimmable as standard
- Low profile design ideal for use in shallow voids
- IP65 suitable for use in bathrooms (internal use only)



### General Information

Product Group	LED - Recessed
Product Range	Skydisc IP65
Trade Name	Skydisc
Light Source	LED
Light Source Features	Cool White
Product Shape	Round
Additional Information	Not suitable for use with JCEM001ST
Mounting	Recessed
Product Weight	0.337kg
Color Finish	White
Overall Dimensions (mm) Rim	Ø220mm
Recommended Product Location	Indoor only
Method Of Fix	Spring Clips (supplied)
Product Aperture Size	210mm
IP Rating	IP65

Environment	<b>Indoor</b>
Suitable For Zones	<b>Zone 1</b>
Luminaire Accessories	<b>Emergency remote pack JCEM001</b>
Origin of manufacturer	<b>Made In China</b>
Warranty	<b>2 years standard warranty extends to 3 years when registered within the first year of purchase (See Website for terms and conditions)</b>
Dimming Protocol Compatibility	<b>Triac</b>
Driver Manufacturer	<b>JCC</b>
LED Manufacturer/Type	<b>Runlite</b>
Lighting Product Type 1	<b>Downlight</b>

## Electrical

Voltage Rating	<b>220-240</b>
Secondary Running Current	<b>240mA</b>
Primary Running Current	<b>0.14Amp</b>
Operating Frequency Hz	<b>50/60Hz</b>
CC or CV	<b>Constant current</b>
Luminaire Circuit Wattage	<b>17W</b>
Class	<b>Class II, double insulated no earth required</b>
Output Voltage (V)	<b>67.2-79.2VDC</b>
EMC Compliant (EN55015)	<b>Yes</b>
Power Factor Correction	<b>0.9</b>
Input Electrical Connections	<b>Live &amp; Neutral: Class II, no Earth connection required.</b>
Dimmable	<b>Yes, Triac compatible</b>

## Thermals

Room Ambient Temperature Not To Exceed	<b>30°C</b>
Insulation Coverage	<b>Do not cover with insulation</b>

## Performance Data

LED Life (Hours)	<b>36000</b>
Lamp Life (Hours)	<b>36000</b>

Hours life stated is an indication of expected L70 chip and light output calculations when operating in optimum conditions. Product warranty period supports the full product during the term given. The L70 hours expectancy is not correlated with the full product warranty term, nor is it a representation of lumen depreciation during the warranty period.

Energy Rating	<b>This product contains a light source of energy efficiency class F</b>
Actual Lumen Output	<b>1700</b>
Lumens Per Circuit Watt	<b>100</b>
Color Rendering Index	<b>80-89</b>
CRI: Ra	<b>80</b>
Correlated Color Temperature	<b>4700K</b>

Light Distribution Detail  
LOR (Light Output Ratio) %  
Photometry Available

120-degree  
100  
Yes

## Construction

Primary Material  
Driver Housing

Polycarbonate  
Polycarbonate

## Packaging

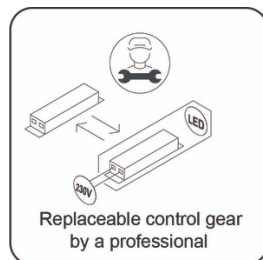
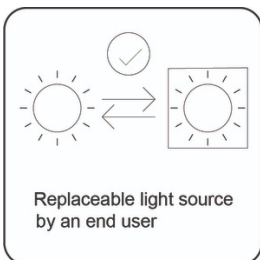
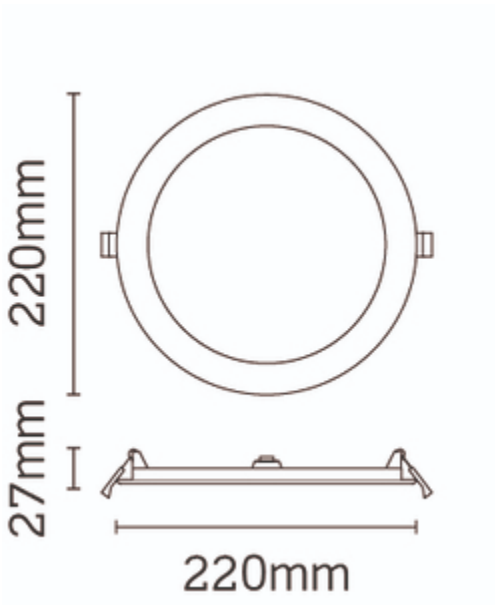
Product Packaged Weight  
Quantity Per Outer Carton  
Product Bar Code EAN-13 Number

0.44kg  
40  
5052544080364

## Standards & Approvals

Manufactured In Accordance To  
CE Marked  
UKCA Marked  
WEEE Symbol  
Certificate Of Conformity  
Accredited Members

BS EN 60598:2015, 2-1, 2-2  
Yes  
Yes  
Yes  
Yes: available on request.  
LIA, ISO9001:2015, ISO14001:2015





---

JCC Lighting LTD Innovation Centre, Beeding Close, Southern Cross Trading Estate, Bognor Regis, West Sussex PO22 9TS  
Sales: 01243 838999 (8am to 5pm Monday to Friday) Fax: 01243 838998 | [sales@jcc.co.uk](mailto:sales@jcc.co.uk) | [www.jcc.co.uk](http://www.jcc.co.uk)  
Company Registration Number: 03044848 | VAT Number: 918544112

This document is uncontrolled if printed, all information is subject to change

Version 62 [23 Apr 2021]