

JC50328

## Emergency Twin Spot

Emergency Twin Spot self-test Non-maintained IP65

### Features & Benefits

- Durable polycarbonate construction
- Twin side conduit entry
- Lightweight design for quick and simple installation
- Ideal for commercial and industrial applications
- Self test versions available
- Non-maintained only



RATING



SENSING



CRI:RA



WARRANTY



CLASS I

### General Information

Mounting

**Surface Mounted**

Environment

**Indoor**

Suitable For Zones

**Zone 1**

Product Group

**Emergency**

Product Range

**Twin Spot**

Trade Name

**Emergency Range**

Color Finish

**White**

Product Shape

**Rectangular**

Product Weight(kg)

**1.84**

Overall Dimensions

**296 x 272 x 75 mm**

Light Source

**LED**

Light Source Features

**Vibrant White**

Recommended Product Location

**Surface mount, indoor use only**

Method Of Fix

**Screws and rawl plugs (not supplied)**

IP Rating

**IP65**

Origin of manufacturer

**Made in China**

Warranty

**2 years standard warranty extends to 3 years when**

Operation Type	registered within the first year of purchase (2 years on batteries)(See Website for terms and conditions)
Mounting Height	Non-maintained only
Driver Manufacturer	Max 3 metres
LED Manufacturer/Type	JCC
Lighting Product Type 1	Everlite 2835
Lighting Product Type 2	Emergency Lighting
	Surface Light

## Electrical

Voltage Rating	220-240
Primary Running Current(Amp)	0.019
Operating Frequency Hz	50/60Hz
Constant Current or Constant Voltage	CC
Luminaire Circuit Wattage	2 x 6W(DC)
Class	I
Input Electrical Connections	U/S live(1 Amp fused -brown or black),Neutral(blue), Earth(yellow/green)
Dimmable	No

## Emergency Data

Load Voltage(DC)	9
LOR % in Emergency Mode	1
Inverter PFC	0.81

## Battery Data

Battery Specification	3 cell D type 3.6V,3500mAh Ni Cd
Nominal Battery Current	3500mAh
Charge Current	140~245mA
Recharge Time	24hrs
Battery run time	3hrs

## Thermals

Operating Temperature Range °C	0 to +26
--------------------------------	----------

## Performance Data

LED Life (Hours)	50000
------------------	-------

Hours life stated is an indication of expected L70 chip and light output calculations when operating in optimum conditions. Product warranty period supports the full product during the term given. The L70 hours expectancy is not correlated with the full product warranty term, nor is it a representation of lumen depreciation during the warranty period.

Actual Lumen Output	700(DC)
Lumens Per Circuit Watt	58 Lpcw(DC)
Color Rendering Index	80-89
CRI: Ra	83

Correlated Color Temperature	<b>6000K</b>
LOR (Light Output Ratio) %	<b>100</b>
Photometry Available	<b>yes</b>

## Controls and Sensors

Detection Distance	<b>Visible from a distance of 24 metres</b>
--------------------	---

## Construction

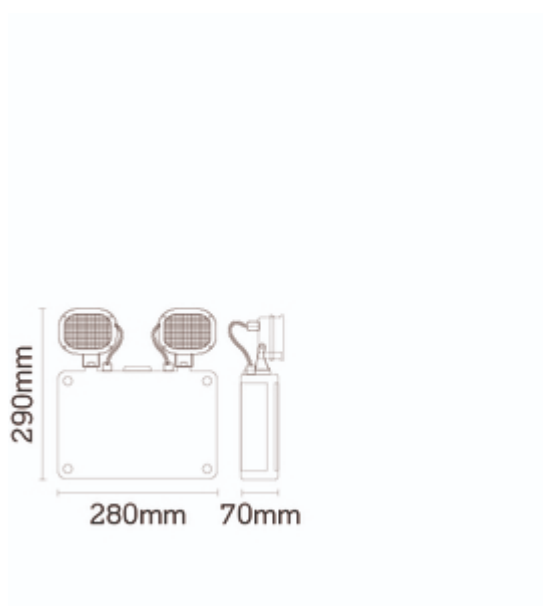
Primary Material	<b>Polycarbonate</b>
------------------	----------------------

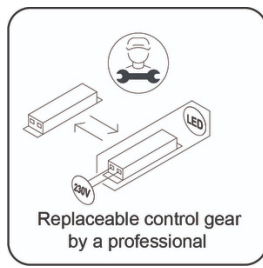
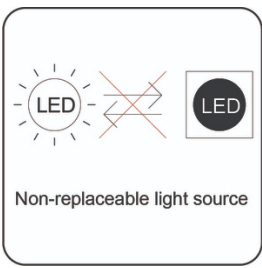
## Packaging

Product Packaged Weight(kg)	<b>1.9</b>
Quantity Per Outer Carton	<b>5</b>
Product Bar Code EAN-13 Number	<b>5052544080630</b>

## Standards & Approvals

Manufactured In Accordance To	<b>BS EN60598-2-22</b>
CE Marked	<b>yes</b>
UKCA Marked	<b>Yes</b>
Date code/Purchase order No.	<b>Yes</b>
WEEE Symbol	<b>yes</b>
Certificate Of Conformity	<b>Available on request</b>
Accredited Members	<b>LIA, ISO9001-2015, ISO14001-2015</b>





---

JCC Lighting LTD Innovation Centre, Beeding Close, Southern Cross Trading Estate, Bognor Regis, West Sussex PO22 9TS  
Sales: 01243 838999 (8am to 5pm Monday to Friday) Fax: 01243 838998 | [sales@jcc.co.uk](mailto:sales@jcc.co.uk) | [www.jcc.co.uk](http://www.jcc.co.uk)  
Company Registration Number: 03044848 | VAT Number: 918544112

This document is uncontrolled if printed, all information is subject to change

Version 68 [06/01/2022]