

Emergency Range

Installation instructions for JC50325 3W Surface Suspended Emergency Exit Blade

JCC | a **LEVITON** company

Warnings & Cautions

- To avoid electric shock, serious injury or property damage, isolate power before installing, removing or servicing the product.
- It is recommended that luminaires are installed by a qualified electrician to ensure the installation complies with the local current wiring regulations.
- It may be necessary to upgrade your MCBs to allow for increased inrush current.
- This product is designed for connection to a 220-240V~ 50/60Hz.
- This product is suitable for indoor use only.
- Read instructions and check that you have all of the tools and accessories required to complete the installation correctly. Isolate power supply before starting installation.
- Do not carry out insulation tests with the product connected to the circuit.
- Any broken or damaged parts should be replaced as soon as possible. JCC will not accept responsibility for claims arising from sub-standard installations; which will void the warranty.
- It is recommended that the ambient room temperature should not exceed 30°C.


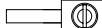
INSTALLATION

ENGLISH

3W 220-240V~ 50/60Hz - Class II 

Colour temp: 6000K Ra: 87

Maintained(3M)
+Light on 24/7
+Emergency

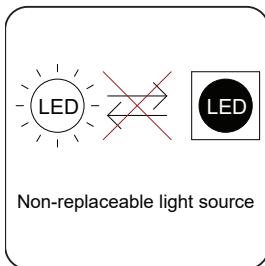
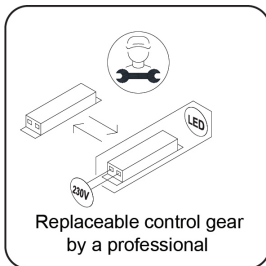
Neutral: Blue 
Usw/Live: Black 

Installation procedure

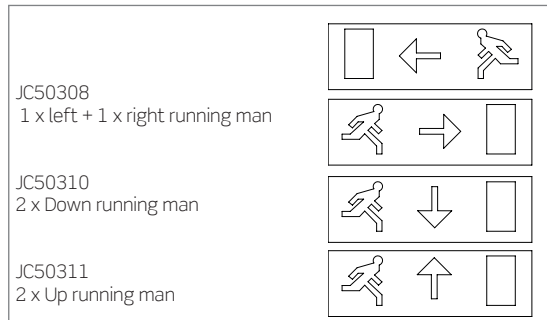
- To remove the back cover, remove the two screws from the front.
- Use the back plate as a template for marking the fixing holes.
- Drill holes and secure to flat surface. Cable entry is available through the rear only.
- Connect the mains input supply as indicated above for the required operation.
- Connect the emergency battery leads to the circuit board (top right hand corner - next to the batteries).
- Refit the body and secure with the screws from the front.
- Using the 4 press clips supplied fit the two corresponding legends to the blade to suit the application.
- Switch on mains supply and test for operation (allow 24hrs for batteries to charge).
- Familiarise yourself with the enclosed emergency fittings test record sheet and ensure it is completed as required.

Function test

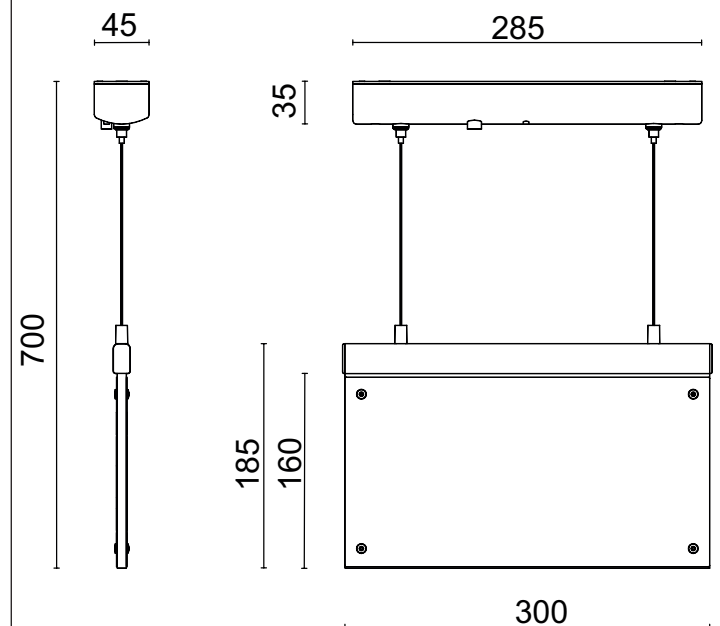
- With mains supply and green indicator light on, press the Test Button to check function.
- Green indicator light will go off and the fitting will operate in emergency mode.
- Release the button and the indicator light will come on and the fitting will then return to previous operation.



Available legends to order:



Profile & Dimensions



All dimensions in millimetres

CE UK RoHS    IP20 **jcc.co.uk**

Important warranty information

This product is supported by a 2-year standard warranty which will extend to 3 years if registered within the first year of purchase. (2 year on batteries). Please register at jcc.co.uk/warranty - Terms and conditions apply.

The installer will be asked to provide the following information, which is detailed on a label attached to the luminaire's chassis:
Product Code/Date Code.

BS EN ISO9001 - 2015 - Registered Firm Certificate No. GB 1552

JCC Lighting Products Ltd. Innovation Centre, Beeding Close, Southern Cross Trading Estate, Bognor Regis, West Sussex, PO22 9TS, United Kingdom

Technical Support: +44(0)1243 838986 Customer Services: +44(0)1243 838999

V3_May_2019_GL

