

# JC50307





## Surface

3W Surface Mount LED Downlight 103lm NM IP20 ST White

### Features & Benefits

- Non-maintained only
- 3W recessed downlight
- Ideal for emergency lighting in offices and open areas



			
WARRANTY	CLASS II	EMERGENCY	RATING

### General Information

Mounting

Environment

Suitable For Zones

Product Group

Product Range

Trade Name

Color Finish

Product Shape

Product Weight(kg)

Overall Dimensions

Light Source

Light Source Features

Recommended Product Location

Method Of Fix

Distance From Lighted Object

IP Rating

Origin of manufacturer

Warranty

Driver Manufacturer

**Surface Mounted**

**Indoor**

**Outside zone 2**

**Emergency**

**Recessed Downlight**

**Emergency Range**

**White**

**Round**

**1.35**

**118 X 50 mm**

**LED**

**Vibrant White**

**Surface ceiling/Wall mount, indoor use only**

**screws/rawl plugs**

**0.3m**

**IP20**

**PRC**

**2 years standard warranty extends to 3 years when registered within the first year of purchase (2 years on batteries)(See Website for terms and conditions)**

**JCC**

LED Manufacturer/Type	<b>3W LED/Epistar</b>
Lighting Product Type 1	<b>Emergency Lighting</b>
Lighting Product Type 2	<b>Recessed</b>

## Electrical

Voltage Rating	<b>220-240</b>
Operating Frequency Hz	<b>50/60Hz</b>
Luminaire Circuit Wattage	<b>3W(AC) 8.6W(DC)</b>
Class	<b>II</b>
Output Voltage Max/Range (VDC)	<b>30-40</b>
Input Electrical Connections	<b>U/S live(black),Neutral(blue)</b>

## Battery Data

Battery Specification	<b>4.8V 1800mAh Ni-Cd 4 cell</b>
Nominal Battery Current	<b>450-550mAh</b>
Charge Current	<b>90-130mAh</b>
Recharge Time	<b>24 Hours</b>
Battery run time	<b>3hrs</b>

## Thermals

Operating Temperature Range °C	<b>0 to +26</b>
--------------------------------	-----------------

## Performance Data

Hours life stated is an indication of expected L70 chip and light output calculations when operating in optimum conditions. Product warranty period supports the full product during the term given. The L70 hours expectancy is not correlated with the full product warranty term, nor is it a representation of lumen depreciation during the warranty period.

Actual Lumen Output	<b>103 (DC)</b>
Lumens Per Circuit Watt	<b>34 LpcW(DC)</b>
CRI: Ra	<b>80</b>
Correlated Color Temperature	<b>6000K</b>
Photometry Available	<b>No</b>

## Construction

Primary Material	<b>Polycarbonate</b>
------------------	----------------------

## Packaging

Product Packaged Weight(kg)	<b>1.4</b>
Quantity Per Outer Carton	<b>20</b>
Product Bar Code EAN-13 Number	<b>5052544047091</b>

## Standards & Approvals

Manufactured In Accordance To	<b>BS EN60598-2-22</b>
CE Marked	<b>yes</b>

UKCA Marked

Date code/Purchase order No.

Certificate Of Conformity

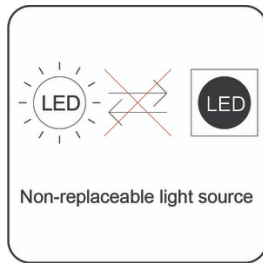
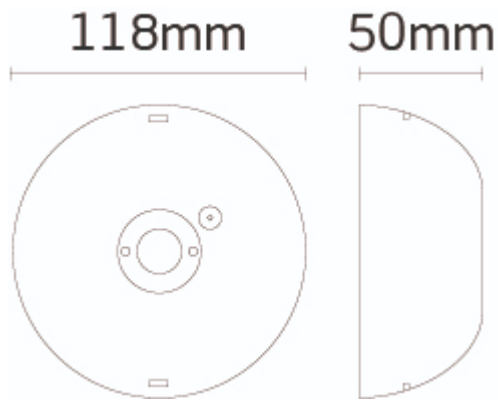
Accredited Members

Yes

Yes

Available on request

LIA, ISO9001-2015, ISO14001-2015



---

JCC Lighting LTD Innovation Centre, Beeding Close, Southern Cross Trading Estate, Bognor Regis, West Sussex PO22 9TS  
Sales: 01243 838999 (8am to 5pm Monday to Friday) Fax: 01243 838998 | [sales@jcc.co.uk](mailto:sales@jcc.co.uk) | [www.jcc.co.uk](http://www.jcc.co.uk)  
Company Registration Number: 03044848 | VAT Number: 918544112

This document is uncontrolled if printed, all information is subject to change

Version 82 [14/02/2022]