

# JC45206BLK

## LED Floodlights

50W LED Floodlight IP65 Alu 4000K Black

### Features & Benefits

- Highly efficient at 90 Lumens per circuit Watt
- Angled bracket for easy installation
- Driverless technology
- Supplied pre-wired with 800mm flex
- Available in black and white colour variants



BEAM



WARRANTY



RATING



CLASS I



CRI:RA

### General Information

Product Range

Light Source

Light Source Features

Product Shape

Mounting

Product Weight

Color Finish

Overall Dimensions

Recommended Product Location

Method Of Fix

IP Rating

Environment

Origin of manufacturer

Warranty

**Domestic Exterior**

**LED**

**Neutral White**

**Rectangular**

**Wall**

**0.98kg**

**Black**

**231.2 x 32.3 x 183mm**

**Exterior, general security lighting**

**Mounting Bracket with suitable fixings (not supplied)**

**IP65**

**Outdoor**

**China**

**2 years standard warranty extends to 3 years when registered within the first year of purchase (See Website for**

Driver Manufacturer  
LED Manufacturer/Type  
Lighting Product Type 1

terms and conditions)  
No driver, mains LED Chips  
Optoelectronics 2835  
Wall Light

## Electrical

Voltage Rating	220-240
Primary Running Current	0.19~0.24A
Operating Frequency Hz	50Hz
Luminaire Circuit Wattage	50W
Class	Class I
Total Harmonic Distortion (THD)%	1.853
EMC Compliant (EN55015)	Yes
Power Factor Correction	0.9
Input Electrical Connections	Live, Earth and Neutral
Dimmable	No

## Thermals

Room Ambient Temperature Not To Exceed	45°C
Operating Temperature Range	-20°C to 40°C

## Performance Data

LED Life (Hours)	47000
Lamp Life (Hours)	36000

Hours life stated is an indication of expected L70 chip and light output calculations when operating in optimum conditions. Product warranty period supports the full product during the term given. The L70 hours expectancy is not correlated with the full product warranty term, nor is it a representation of lumen depreciation during the warranty period.

Energy Rating	This product contains a light source of energy efficiency class F
Actual Lumen Output	4500
Lumens Per Circuit Watt	90
Standard Deviation Colour Matching - SDCM	<6
Color Rendering Index	50-79
CRI: Ra	70
Correlated Color Temperature	4000K
Light Distribution Detail	110-degree
Photometry Available	Yes

## Construction

Primary Material	Aluminum
Inner Diffuser	Toughened Glass

## Packaging

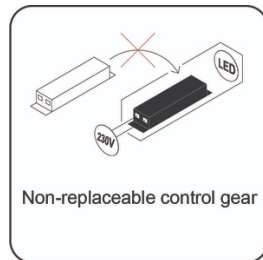
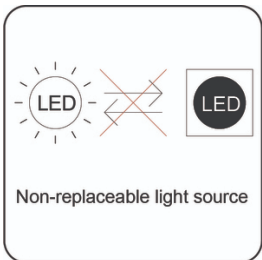
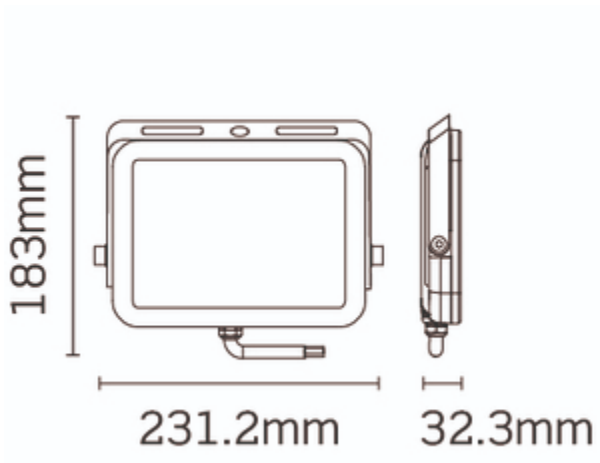
Product Packaged Weight  
Quantity Per Outer Carton  
Product Bar Code EAN-13 Number

**1.07kg**  
**20**  
**5052544079962**

## Standards & Approvals

Manufactured In Accordance To  
CE Marked  
UKCA Marked  
Date code/Purchase order No.  
WEEE Symbol  
Certificate Of Conformity  
Accredited Members

**BS EN 60598-2015,2-1,2-5**  
**Yes**  
**Yes**  
**Yes**  
**Yes**  
**Yes, available on request**  
**LIA, ISO9001:2015, ISO14001:2015**



JCC Lighting LTD Innovation Centre, Beeding Close, Southern Cross Trading Estate, Bognor Regis, West Sussex PO22 9TS  
Sales: 01243 838999 (8am to 5pm Monday to Friday) Fax: 01243 838998 | [sales@jcc.co.uk](mailto:sales@jcc.co.uk) | [www.jcc.co.uk](http://www.jcc.co.uk)  
Company Registration Number: 03044848 | VAT Number: 918544112

This document is uncontrolled if printed, all information is subject to change

Version 134 [08 Jun 2021]