

JC45202WH

LED Floodlights

20W LED Floodlight IP65 Alu 4000K White

Features & Benefits

- Highly efficient at 105 Lumens per circuit Watt
- Angled bracket for easy installation
- Driverless technology
- Supplied pre-wired with 800mm flex
- Available in black and white colour variants



CLASS I



RATING



CRI:RA



WARRANTY



BEAM

General Information

Product Group

Floodlight

Product Range

Domestic Exterior

Light Source

LED

Light Source Features

Neutral White

Product Shape

Rectangular

Mounting

Wall

Product Weight

0.58kg

Color Finish

White

Overall Dimensions

184.2 x 28.3 x 141.1

Recommended Product Location

Exterior, general security lighting

Method Of Fix

Mounting Bracket with suitable fixings (not supplied)

IP Rating

IP65

Environment

Outdoor

Origin of manufacturer

China

Warranty

2 years standard warranty extends to 3 years when

Driver Manufacturer
LED Manufacturer/Type
Lighting Product Type 1

registered within the first year of purchase (See Website for terms and conditions)
No driver, mains LED Chips
Optoelectronics 2835
Wall Light

Electrical

Voltage Rating **220-240**
Primary Running Current **0.1~0.13A**
Operating Frequency Hz **50Hz**
Luminaire Circuit Wattage **20W**
Class **Class I**
Total Harmonic Distortion (THD)% **1.795**
EMC Compliant (EN55015) **Yes**
Power Factor Correction **0.5**
Input Electrical Connections **Live, Earth and Neutral**
Dimmable **No**

Thermals

Room Ambient Temperature Not To Exceed **45°C**
Operating Temperature Range **-20°C to 40°C**

Performance Data

LED Life (Hours) **47000**
Lamp Life (Hours) **36000**

Hours life stated is an indication of expected L70 chip and light output calculations when operating in optimum conditions. Product warranty period supports the full product during the term given. The L70 hours expectancy is not correlated with the full product warranty term, nor is it a representation of lumen depreciation during the warranty period.

Energy Rating **This product contains a light source of energy efficiency class F**
Actual Lumen Output **2100**
Lumens Per Circuit Watt **105**
Standard Deviation Colour Matching - SDCM **<6**
Color Rendering Index **50-79**
CRI: Ra **70**
Correlated Color Temperature **4000K**
Light Distribution Detail **110-degree**
Photometry Available **Yes**

Construction

Primary Material **Aluminum**
Inner Diffuser **Toughened Glass**

Packaging

Product Packaged Weight

0.65kg

Quantity Per Outer Carton

40

Product Bar Code EAN-13 Number

5052544079894

Standards & Approvals

Manufactured In Accordance To

BS EN 60598-2015,2-1,2-5

CE Marked

Yes

UKCA Marked

Yes

Date code/Purchase order No.

Yes

WEEE Symbol

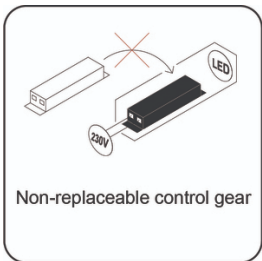
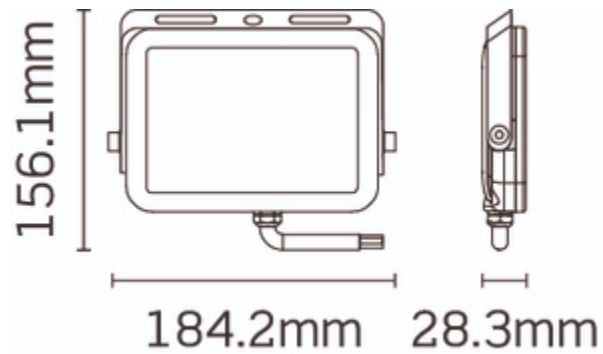
Yes

Certificate Of Conformity

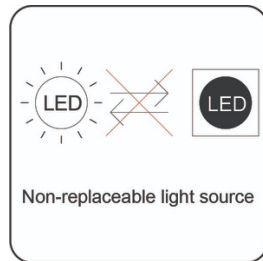
Yes, available on request

Accredited Members

LIA, ISO9001:2015, ISO14001:2015



Non-replaceable control gear



Non-replaceable light source



JCC Lighting LTD Innovation Centre, Beeding Close, Southern Cross Trading Estate, Bognor Regis, West Sussex PO22 9TS
Sales: 01243 838999 (8am to 5pm Monday to Friday) Fax: 01243 838998 | sales@jcc.co.uk | www.jcc.co.uk
Company Registration Number: 03044848 | VAT Number: 918544112

This document is uncontrolled if printed, all information is subject to change

Version 123 [08 Jun 2021]