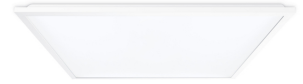


JC080051

Skytile Base

Skytile Base TP(b) 600x600mm 30W IP20 5000K White frame



Features & Benefits

- 4 wire suspension kit and surface mount box available
- 105 lumens per circuit Watt
- 4000K and 5000K colour temperature options
- IP20 protection
- Remote Plug and Play Emergency Pack - JCEM001 or JCEM001ST
- 2 years standard warranty extends to 5 years when registered within the first year of purchase (See Website for terms and conditions)
- This product contains a light source of energy efficiency class F



CLASS II



BEAM



RATING



CRI:RA



WARRANTY

General Information

Mounting	Recessed
Environment	Indoor
Suitable For Zones	Outside zone 2
Product Group	LED - Recessed
Product Range	Skytile
Trade Name	Skytile Base
Color Finish	White
Product Shape	Square
Product Weight(kg)	1.9
Overall Dimensions	595 x 595 x 32 mm
Light Source	LED
Light Source Features	Cool White
Additional Information	Do not cover with insulation
Luminaire Accessories	Surface mount tray(JC71262) Suspension kit(JC080050)
Recommended Product Location	indoor use only
Minimum Void Requirement	150mm
Method Of Fix	for use with T grid suspended ceilings
Distance From Lighted Object	0.3 metre
Product Aperture Size	600 x 600mm
IP Rating	IP20

Origin of manufacturer	Made in China
Warranty	2 years standard warranty extends to 5 years when registered within the first year of purchase (See Website for terms and conditions)
Driver Manufacturer	Lifud
LED Manufacturer/Type	Runlite 2835
Lighting Product Type 1	Troffer

Electrical

Voltage Rating	220-240
Primary Running Current(Amp)	0.3
Inrush current(Amps)	<30
Operating Frequency Hz	50/60Hz
Secondary running current(mA)	700
Constant Current or Constant Voltage	CC
Luminaire Circuit Wattage	30
Class	II
Total Harmonic Distortion (THD)%	0.2
EMC Compliant (EN55015)	Yes
Power Factor Correction	0.95
Input Electrical Connections	Live & Neutral
Dimmable	No

Thermals

Max Driver/Ballast Ambient Temp.	from -30 to 50°C
Insulation Coverage	Do not cover
Minimum Void Requirement	150mm
Operating Temperature Range °C	-30 to +50

Performance Data

LED Life (Hours)	54000
------------------	--------------

Hours life stated is an indication of expected L70 chip and light output calculations when operating in optimum conditions. Product warranty period supports the full product during the term given. The L70 hours expectancy is not correlated with the full product warranty term, nor is it a representation of lumen depreciation during the warranty period.

Energy Rating	This product contains a light source of energy efficiency class F
Actual Lumen Output	3150
Lumens Per Circuit Watt	105
Standard Deviation Colour Matching - SDCM	<6
Color Rendering Index	80-89
CRI: Ra	83
Correlated Color Temperature	5000K
Beam Angle °	113
LOR (Light Output Ratio) %	100
Photometry Available	Yes, available on request

Controls and Sensors

Overload Protection

Yes

Construction

Primary Material

Aluminium

Outer Diffuser

TP(b) polystyrene

Heat Sink

Steel

Packaging

Quantity Per Outer Carton

5

Outer carton(L)- cm

66

Outer carton(W)- cm

29

Outer carton(H)- cm

71.5

Outer carton Net weight- kg

9.5kg

Outer carton Gross weight- kg

13.45kg

Product Bar Code EAN-13 Number

5052544105364

Outer carton Bar Code ITF-14 Number

15052544105361

Standards & Approvals

Manufactured In Accordance To

BS EN 60598 -2-1, 2-2

CE Marked

Yes

UKCA Marked

Yes

Date code/Purchase order No.

Yes

WEEE Symbol

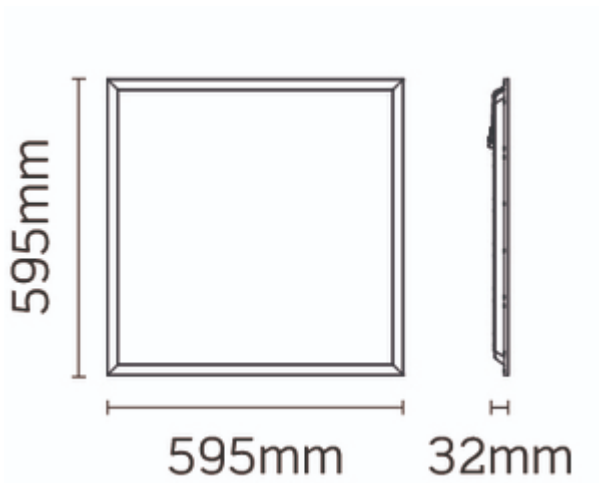
Yes

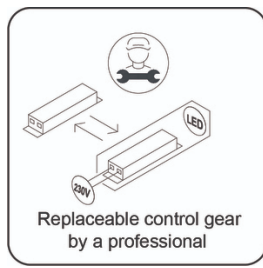
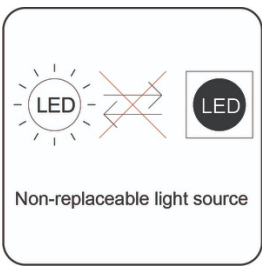
Certificate Of Conformity

Available on request

Accredited Members

LIA, ISO9001-2015, ISO14001-2015





JCC Lighting LTD Innovation Centre, Beeding Close, Southern Cross Trading Estate, Bognor Regis, West Sussex PO22 9TS
Sales: 01243 838999 (8am to 5pm Monday to Friday) Fax: 01243 838998 | sales@jcc.co.uk | www.jcc.co.uk
Company Registration Number: 03044848 | VAT Number: 918544112

This document is uncontrolled if printed, all information is subject to change

Version 98 [03/02/2022]