

JC050006

Toughflood Commercial

Toughflood Commercial 100W 8500lm 85lpcW 4000K IP65 Black

Features & Benefits

- Up to 90 LpcW
- Driver less technology, instant start up
- Polycarbonate Diffuser: Suitable for food preparation
- 2M pre-wired H05RN-F cable for exterior applications
- ADC12 die-cast aluminium body, corrosion resistant, lightweight for easier installation
- Easy access installation with 55° angled Galvanized steel bracket
- 110° beam angle
- Installation height of up to 5 metres



RATING



WARRANTY



RATING



CLASS I



BEAM



CRI:RA

General Information

Product Range

Trade Name

Light Source

Light Source Features

Product Shape

Mounting

Product Weight

Color Finish

Overall Dimensions

Recommended Product Location

Method Of Fix

IP Rating

Environment

Origin of manufacturer

Warranty

Commercial Exterior

Toughflood

LED

Neutral White

Rectangular

Wall

1.8kg

Black

325 x 234 x 38mm

Exterior, general security lighting

Mounting Bracket with suitable fixings (not supplied)

IP65

Outdoor

China

2 years standard warranty extends to 3 years when registered within the first year of purchase (See Website for

Driver Manufacturer
LED Manufacturer/Type
Lighting Product Type 1

terms and conditions)
No driver, mains LED Chips
Optoelectronics 2835
Wall Light

Electrical

Voltage Rating	220-240
Primary Running Current	0.51A
Operating Frequency Hz	50/60Hz
Luminaire Circuit Wattage	100W
Class	Class I
EMC Compliant (EN55015)	Yes
Power Factor Correction	0.9
Input Electrical Connections	Live, Earth and Neutral
Dimmable	No
Supplied cable rating	2M pre-wired H05RN-F

Thermals

Operating Temperature Range	-20°C to 40°C
-----------------------------	---------------

Performance Data

LED Life (Hours)	54000
------------------	-------

Hours life stated is an indication of expected L70 chip and light output calculations when operating in optimum conditions. Product warranty period supports the full product during the term given. The L70 hours expectancy is not correlated with the full product warranty term, nor is it a representation of lumen depreciation during the warranty period.

Energy Rating	This product contains a light source of energy efficiency class F
Actual Lumen Output	8500
Lumens Per Circuit Watt	85
Standard Deviation Colour Matching - SDCM	<6
Color Rendering Index	50-79
CRI: Ra	70
Correlated Color Temperature	4000K
Light Distribution Detail	110-degree
LOR (Light Output Ratio) %	100
Photometry Available	Yes

Controls and Sensors

Installation Height	5m max
---------------------	--------

Construction

Primary Material	ADC12 die-cast aluminium
------------------	--------------------------

Outer Diffuser

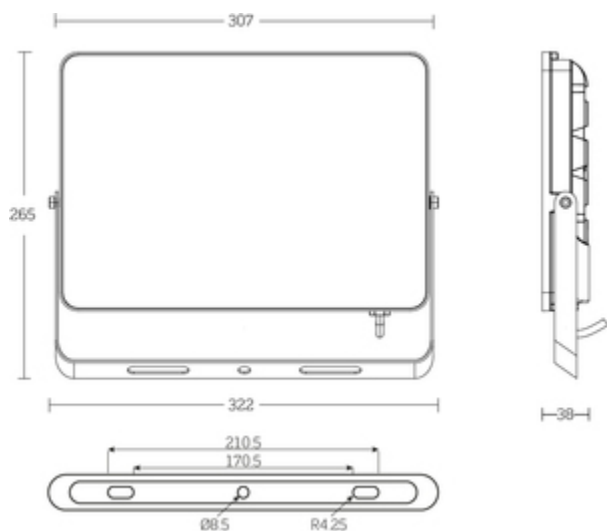
Opaque Polycarbonate

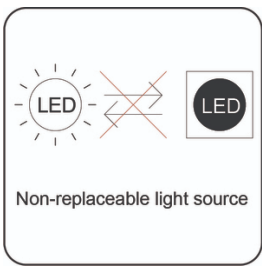
Packaging

Product Carton Dimensions	33 x 27 x 4.5 cm
Product Packaged Weight	2.0kg
Quantity Per Outer Carton	5
Outer carton(L)- cm	34.2
Outer carton(W)- cm	28.2
Outer carton(H)- cm	24.5
Outer carton overall dimensions	34.2 x 28.2 x 24.5cm
Outer carton Net weight- kg	10.00kg
Outer carton Gross weight- kg	10.50kg
Product Bar Code EAN-13 Number	5052544105982
Outer carton Bar Code ITF-14 Number	15052544105989

Standards & Approvals

Manufactured In Accordance To	BS EN 60598-2015,2-1,2-5
CE Marked	Yes
UKCA Marked	Yes
Date code/Purchase order No.	Yes
WEEE Symbol	Yes
Certificate Of Conformity	Yes, available on request
Accredited Members	LIA, ISO9001:2015, ISO14001:2015





JCC Lighting LTD Innovation Centre, Beeding Close, Southern Cross Trading Estate, Bognor Regis, West Sussex PO22 9TS
Sales: 01243 838999 (8am to 5pm Monday to Friday) Fax: 01243 838998 | sales@jcc.co.uk | www.jcc.co.uk
Company Registration Number: 03044848 | VAT Number: 918544112

This document is uncontrolled if printed, all information is subject to change

Version 61 [23 Apr 2021]