

Fireguard® Fire-rated Tilt Downlight



Installation instructions for Fire-rated Tilt Downlight

Warnings and cautions

- To avoid electric shock, serious injury or property damage, isolate power before installing, removing or servicing the product.
- It is recommended that luminaires are installed by a qualified electrician and the installation complies with the local current wiring regulations.
- Any broken or damaged parts should be replaced as soon as possible. JCC will not accept responsibility for claims arising from sub-standard installations.
- It is recommended that the ambient room temperature should not exceed 25°C.
- For dimming guidelines please refer to your lamp manufacturer.
- These products are designed for connection to a mains supply of 220-240V~ 50/60Hz.
- This luminaire is suitable for indoor use only.
- It may be necessary to upgrade your MCBs to allow for increased inrush current.
- This Fireguard® Fire-rated downlight can be loosely covered with mineral wool insulation.
- Insulation tests can be carried out provided no lamps are installed. This fitting will be considered Class I with press fit Loop In/Loop Out connector.
- Always check with lamp manufacturer to ensure that the LED lamp is suitable for an enclosed can fitting.**
- Do not use halogen lamps in this product.**

INSTALLATION

JC010023

**Specification : GU10 Cap 7W LED max only
(15° tiltable inner bezel)**

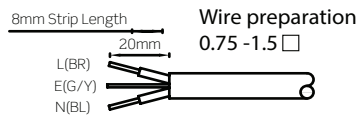
Finishes: Brushed nickel, Chrome, White

Input Connections:

Luminaire Connections

Colour codes for UK mains wiring are:

Live	Brown
Earth	Green/Yellow
Neutral	Blue



Mains cable preparation prior to wiring

220-240V~ 50/60Hz Class I

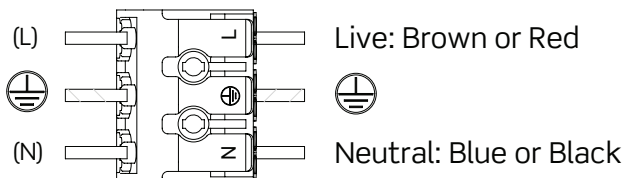
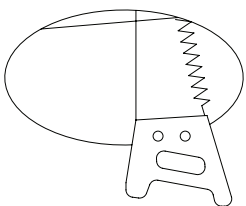


Fig.1. Cut out Ø 85mm



ENGLISH

Installation Procedure

Stage 1. Read the instructions and check you have all the tools and accessories required to complete the installation correctly.

Stage 2. Cut the mounting hole in the ceiling.(JCC recommends that a sample hole is cut in a section of spare material to familiarize yourself with the process). See Fig.1.

Stage 3. Connect luminaire to 220-240V~ supply (as shown on the left and below).

Stage 4. Remove twist and lock bezel, install LED lamp then refit bezel to body.

Stage 5. Press springs back and push luminaire body into aperture.

Dimming Guidelines

Please note: DO NOT perform insulation resistance tests on a lighting circuit with LED lamps installed or a dimmer switch connected as this could damage the electronic components in the products beyond repair.

A slight buzzing noise may be heard from the dimmer switch while in operation, however this is perfectly normal. These notes are intended for guidance only. JCC Lighting accepts no responsibility for unsatisfactory installations or consequent loss or damage howsoever caused.

Please be aware that this mains Fireguard® fitting is suitable for use with dimmable lamps. In all cases regarding LED lamps, refer to lamp Manufacturer for suitability for use in a sealed can and with dimmer switch manufacturers for compatibility.

You can help protect the environment. Please remember to respect the local regulations: hand in the non-working electrical equipment to an appropriate waste disposal centre. The packaging material is recyclable. Dispose of the packaging in an environmentally friendly manner and make it available for the recyclable material collection service.

Part B Fire Safety

The purpose of Part B is to ensure building structures provide adequate protection to personnel to allow the safe evacuation of a building structure/complex. The regulation has been a legal requirement since 1987. All JCC Fire Rated fittings are tested for 30,60 & 90 minute Solid Joist Ceilings and Selected I-Joist Ceilings for 30 or 60 Minute. Please refer to the JCC website for further information and copies of available certification.

Part C Resistance to Contaminants and Moisture

The amount of moisture that can enter a cold roof void must be controlled; thus anything which punctures the seal between the cold roof area and dwelling area must be considered. Light fittings are a good example of intrusions into the roof area that can facilitate the passage of moisture. Fire-rated downlights have been designed with special seals to inhibit the flow of air & moisture through the fitting as required by Part C of the building regulations.

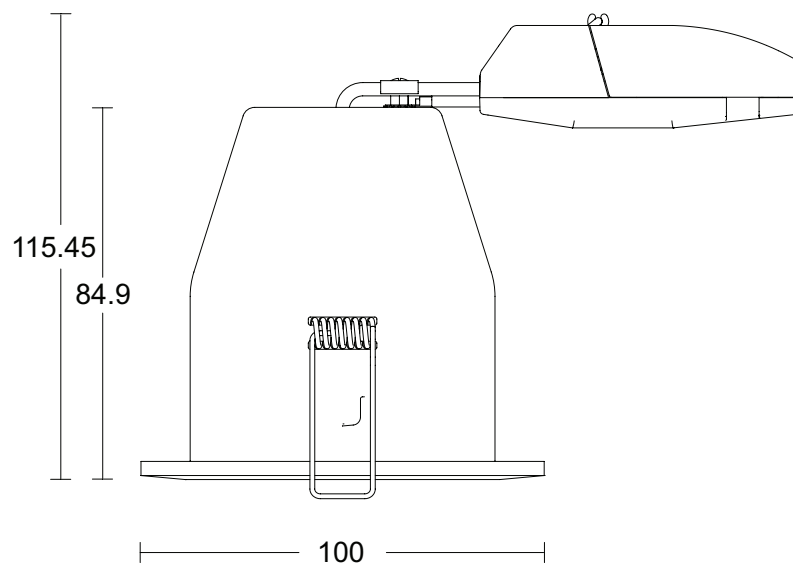
Part E Resistance to Sound

There is a general increase in the levels of background noise in a domestic environment. The Government has changed to the building regulations to ensure that reasonable noise attenuation can be expected between partition walls and ceilings not only between separate dwellings but also within individual residential area. The special gaskets incorporated into the Fire-rated design ensure that the criteria is met.

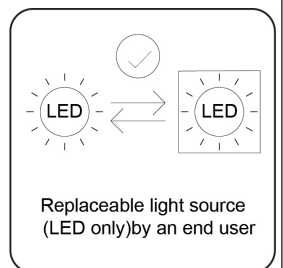
Part L Conservation of Fuel and Power

The 2006 revision to Part L has focused lighting installations on energy conservation. The requirement is for 1 in 4 downlights to be energy efficient and have an efficiency of >45Lm/w.

Profile & Dimensions



All dimensions in millimetres



Important warranty information

This product is supported by a 2-year warranty. Terms and conditions apply. Prior to installation please make a note of the following information directly from the luminaire chassis. This will assist if you require to contact JCC about your product:

- Product Code
- Date Code

It remains the responsibility of the installer to ensure this product is suitable for its intended application, the product warranty will be void if installed in an area not suitable for this product.

BS EN ISO9001 - 2015 - Registered Firm Certificate No. GB 1552
JCC Lighting Products Ltd. Innovation Centre, Beeding Close, Southern Cross Trading Estate, Bognor Regis, West Sussex, PO22 9TS, United Kingdom
Technical Support: +44(0)1243 838986 Customer Services: +44(0)1243 838999