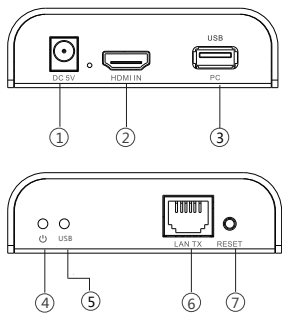


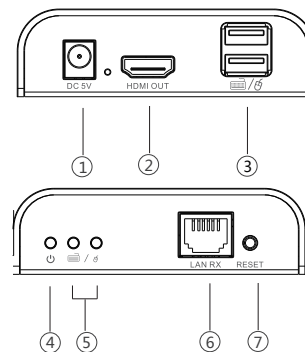
## HDMIX120KVM HARDWIRED HDMI SENDER KIT HD 1080P 120M WITH KVM

### TX (Transmitter)



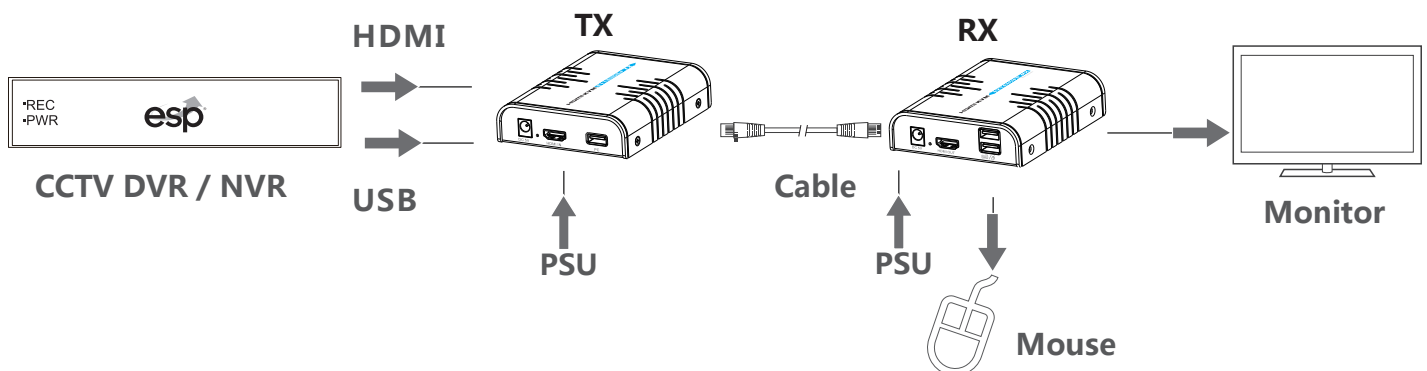
- ① Power input (DC5V)
- ② HDMI signal input
- ③ USB port : to connect with PC
- ④ Power indicator
- ⑤ USB connection indicator
- ⑥ LAN signal output
- ⑦ Reset button

### RX (Receiver)



- ① Power input (DC5V)
- ② HDMI signal output
- ③ USB port : to connect with keyboard/mouse
- ④ Power indicator
- ⑤ USB connection indicator
- ⑥ LAN signal input
- ⑦ Reset button

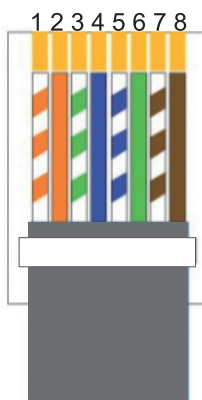
### System Set-up Example



### Cable Connections

RJ45 Pinout  
T-568B

1. White/Orange
2. Orange
3. White/Green
4. Blue
5. White / Blue
6. Green
7. White / Brown
8. Brown



### Quick Start Guide:

- Ensure there is a signal output from the HDMI source (connect a monitor directly)
- Apply power to the TX and RX
- Connect the RX to a monitor and ensure there is a transmission signal between both TX and RX when the cable is fitted
- Connect the HDMI source to the TX, the image will display.

Please note: if the HDMI source changes resolution whilst connected to the TX, the TX will need to be power cycled to auto adjust to the new resolution

## Support Guide:

No activity of the LAN status LED

- Check the cable continuity
- Check RJ45 connections
- Check cable distance

Slow flashing LAN status LED

- Check the TX and RX are in the correct position
- Check that the source HDMI output is active
- Check the TX HDMI cable

Quick flashing LAN status LED

- Change the source HDMI output to a supported resolution
- Check the RX HDMI cable

Abnormal display once connected

- Press Reset on RX and TX
- Check RJ45 connections

USB Mouse control is not working

- If using a PC/Laptop as the source HDMI install the driver software (NVR / DVR's do not require the driver software)
- Check USB cables and mouse controller
- Press Reset on RX and TX

## Additional Notes:

As with all electronic products, ESP cannot guarantee compatibility with every available device, and every version of a specific device.

The driver disc supplied is for PC / Laptop use.

Specification	
HDMI Version	1.3
HDCP Version	1.2
Video Bandwidth	<70Mbps
Supported Resolutions	640*480@60HZ 800*600@60HZ 1024*768@60HZ 1280*720@60HZ 1360*768@60HZ 1440*900@60HZ 1400*1050@60HZ 1680*1050@60HZ 1920*1080@60HZ
Audio	PCM (44.1KHz, 48KHz)
HDMI Connector	Type A, 19 pin, Female
LAN Connector	RJ-45
Operating Temperature	0°C~50°C
Relative Humidity	10-95% (Noncondensing)
Power Supply	5v 1A
Power Consumption	TX : <3.5W RX : <3.5W
Dimensions	109.6 (L) X 89.5 (W) X26.3 (H) mm
Weight	TX : 160g RX : 170g

  
Elite Security Products  
Unit 7, Target Park,  
Shawbank Road, Lakeside,  
Redditch B98 8YN



Telephone : 01527 51 51 50  
Fax: 01527 51 51 43  
Email : info@espuk.com  
www.espuk.com  
E&OE - Errors and omissions excepted.B19