

Product Code: CT103M

Description: 250V~ 20A 3 Pole Male (Fast-Fit Cable Clamps) Connector



General Information

Dimensions (mm)	73 (W) x 50 (D) x 25 (H)	
Minimum Aperture Diameter (mm)	55	
Finish	Blue	
Materials	Cover: Polycarbonate	Base & Terminal Housing: Nylon (PA66)
	Terminals: Silver Plated Brass	Terminal Screws: Steel and Yellow Passivated
Rated Voltage (V~) (Ue)	250	Frequency (Hz) 50
Resistive Load Rating (A)	20	
Rated Impulse Voltage (kV)	4	
Recommended Inner Core Strip Length (mm)	L & N: 35; E: 43	
Recommended Conductor Strip Length (mm)	10	
Termination Type	Screw	
Terminal Size (mm)	Ø4.2	Terminal Torque Value (Nm) 0.8
Terminal Capacity - Solid (mm²)	3 x 2.5	
Terminal Capacity - Flex (mm²)	3 x 1.5	
Termination Layout (Male)	N - E - L	
Cable Restraint Supplied	Yes	
Ingress Protection	IP20	
Operational Temperature (°C)	-5 to +40	
Warranty (Years)	10	

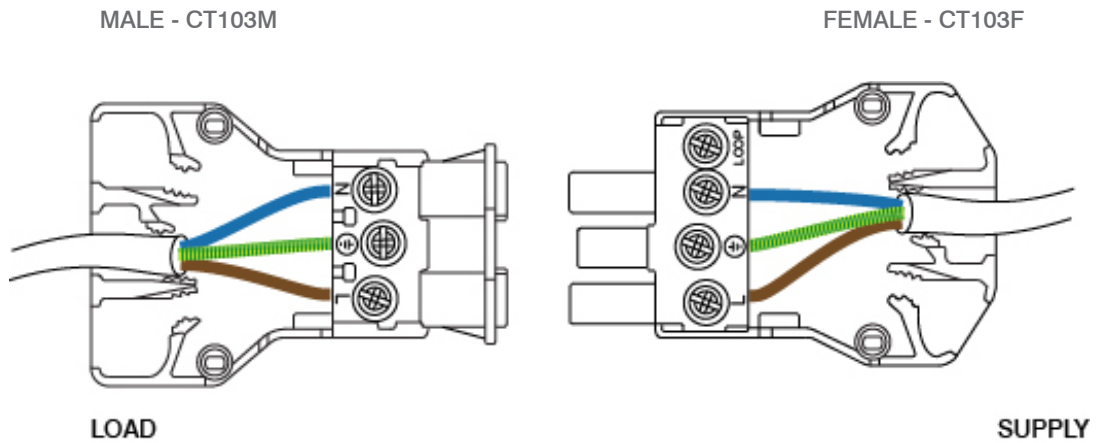
Additional Information

For cleaning / polishing of products, use only a soft, dry, clean cloth.
 Ensure that the mains supply is isolated before commencing installation.
 Always refer to the circuit diagram supplied with the relevant product.
 Bare earth cables must always be covered with appropriate sleeving and wired to the earth terminal.
 Any dangerous compatibility between different manufactures installation coupler systems is not automatically prevented by compliance with IEC 61535.

Product Code: CT103M

Description: 250V~ 20A 3 Pole Male (Fast-Fit Cable Clamps) Connector

Wiring Example



UK Design Registration: 3015621