

CONNECTION BOX - CHOC30A

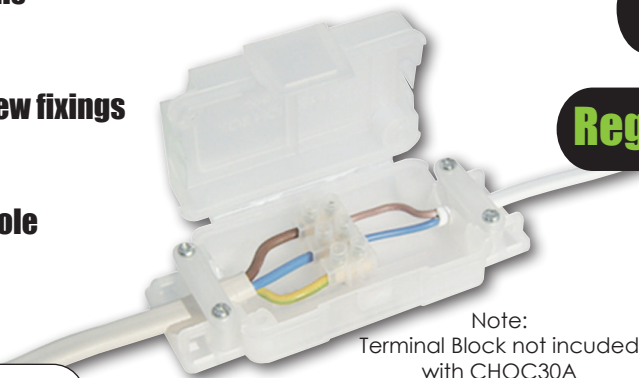
NORSLO

For 2A - 30A terminal Strips

- + For protection of electrical connections
- + External easy to use cable clamps
- + Simple one piece snap cover with screw fixings
- + Optional screw or cable tie box fixing
- + Will pass through a 50mm diameter hole
- + Fully assembled

'Maintenance Free & Tamperproof'

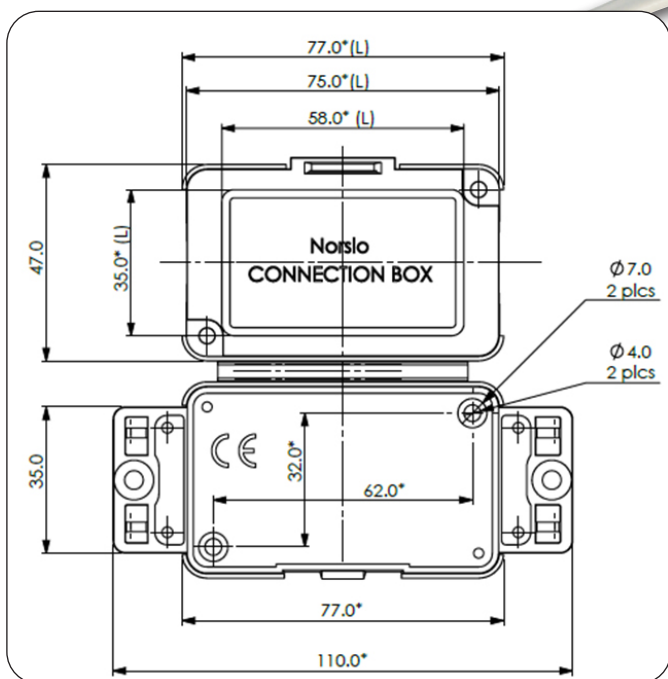
Registered Design



Note:
Terminal Block not included
with CHOC30A



CHOC30A



POS Display
Qty 50

Also available
complete with 20A Quick
release connector block

CHOCBOX+
Registered Design



CHOC30APLS

	CHOC30A
Barcode	5012739607370
Rated Voltage	250V
Number of Terminals that can fit inside CHOC30A, when located on peg	Horizontal Positioning 2 Amp - 8 terminals 5 Amp - 6 terminals 15 Amp - 4 terminals 30 Amp - 4 terminals Vertical Positioning 2 Amp - 4 terminals 5 Amp - 4 terminals 15 Amp - 2 terminals 30 Amp - 2 terminals
Temperature Range	-5 to 60°C
Box Qty	50
Product Weight	28g
Product Finish	Natural Polypropylene
Guarantee	1 Year
Conforms To	BS EN60670-22 (13.3.2) 650°C glow-wire