



# FirestayLED

## Integrated LED Fixed Downlight

- FireStay Certification: 30, 60 and 90 minute solid joist ceilings  
30 minute I-Joist ceiling systems
- IP65
- Part B / C / E compliant
- White bezel & magnetic satin bezel
- Part L compliant
- Easy Fit Magnetic Bezel
- 5 year Guarantee (Excluding Battery)<sup>3</sup>

IC Rated up to  
350mm insulation



Quick Fix Connector  
Tool Free Termination



Ø81 mm Bezel



Code	Description	Colour Temp	lm	cd	Beam <sup>o</sup>	Hrs
10500	6W Firestay LED Integrated Fixed Dimmable Downlight, incl White & Satin Bezels. <b>Tool Free Termination</b>	3000K	580	1050	40°	35000
10501	6W Firestay LED Integrated Fixed Dimmable Downlight, incl White & Satin Bezels. <b>Tool Free Termination</b>	4000K	595	1200	40°	35000
10560	Chrome Magnetic Bezel for above	-	-	-	-	-
10561	Brass Magnetic Bezel for above	-	-	-	-	-
10562	Antique Brass Magnetic Bezel for above	-	-	-	-	-
10563	Matt Black Magnetic Bezel for above	-	-	-	-	-
08193	White Spacer Plate for above (100mm cut out)	-	-	-	-	-
08194	Satin Spacer Plate for above (100mm cut out)	-	-	-	-	-
08197	BELL Quick Fix Connector for above	-	-	-	-	-



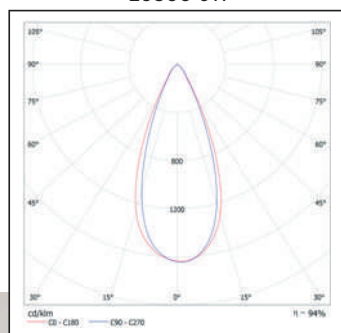
# FirestayLED

## Technical Specification

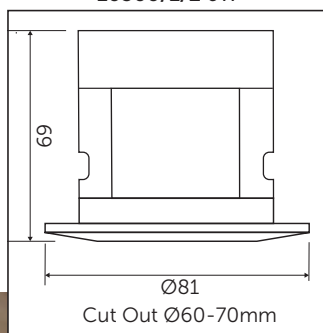
Data	
Construction	Aluminium
Driver	BELL
LED Chip	Samsung
IP Rating	IP65
Operating Temp	-5°C to +35°C
Input Voltage	220 - 240V
Power Factor	> 0.9
CRI	85 - Exceeds EU standard of Ra 80 for Colour Rendering Index
LMR	80 - Exceeds EU standard of 70 for Lumens Maintenance Ratio

\* All BELL Lighting luminaires are rated L80 B10, so for a 50,000 hour product. L80B10 at 50,000 hours our fittings will still have 80% of initial lumen, only 10% of fittings will fail to achieve this.

10500 6W



10500/1/2 6W



Emergency versions must be tested in line with the requirements of BS5266, failure to do so may effect battery life and warranty.



Exceeds EU standard of 70 for Lumens Maintenance Ratio  
Exceeds EU standard of Ra 80 for Colour Rendering Index  
Subject to terms & conditions (Contact Customer Service)