



CorePro LEDspot AR111



CorePro LEDspot 7-50W 830 AR111 40D

CorePro LEDspot AR111 are a perfect fit for spot lighting and deliver warm halogen-like light. They are compatible with most existing fixtures with a G53 base and are designed as a retrofit replacement for halogen spots. CorePro LEDspot AR111 deliver significant energy savings and minimise maintenance cost.

Product data

General Information	
Cap base	G53
Nominal lifetime	15,000 h
Switching Cycle	50,000
Lighting Technology	LED
Flux measurement reference	Narrow Cone
CE mark	Yes
EU RoHS compliant	Yes
Light Technical	
Colour Code	830 [CCT of 3000K]
Beam angle (nom.)	40 degree(s)
Luminous Flux	550 lm
Luminous intensity (nom.)	1,100 cd
Colour designation	White (WH)
Correlated Colour Temperature	3000 K
Luminous efficacy (rated) (nom.)	78.00 lm/W
Colour consistency	<6
Colour rendering index (CRI)	80
LLMF at end of nominal lifetime (nom.)	70 %

Luminous flux in 90° cone (rated)	550 lm
Flickering value (PstLM)	1
Stroboscopic effect	0.4
Photobiological safety according to EN 62471	RG1

Operating and Electrical	
Line Frequency	- Hz
Input frequency	- Hz
Power Consumption	7 W
Lamp current (nom.)	670 mA
Wattage equivalent	50 W
Starting time (nom.)	0.5 s
Warm-up time to 60% light	1 s
Power Factor (Fraction)	0.7
Voltage (nom.)	ac electronic 12 V

Temperature	
T-Case maximum (nom.)	60 °C

CorePro LEDspot AR111

Controls and Dimming

Dimmable	No
----------	----

Mechanical and Housing

Lamp Finish	Clear
Bulb shape	AR111

Approval and Application

Energy Efficiency Class	F
Suitable for accent lighting	Yes
Energy consumption kWh/1,000 hours	7 kWh
EPREL registration number	491865
EyeComfort	Yes

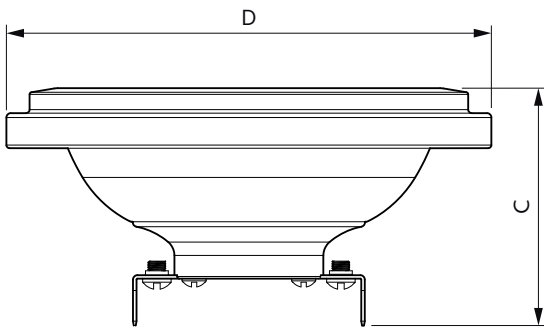
Application Conditions

Can it be used in closed luminaires	No
-------------------------------------	----

Product Data

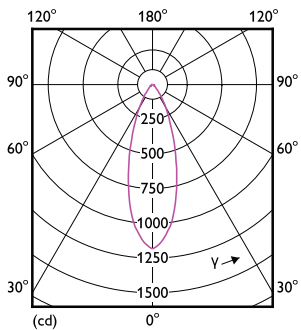
Order product name	CorePro LEDspot 7-50W 830 AR111 40D
Full product name	CorePro LEDspot 7-50W 830 AR111 40D
Full EOC	871951430538000
Order code	30538000
Material no. (12 NC)	929002965002
SAP numerator – quantity per pack	1
EAN/UPC – Product/Case	8719514305380
Numerator – packs per outer box	6
EAN/UPC – Case	8719514305397

Dimensional drawing

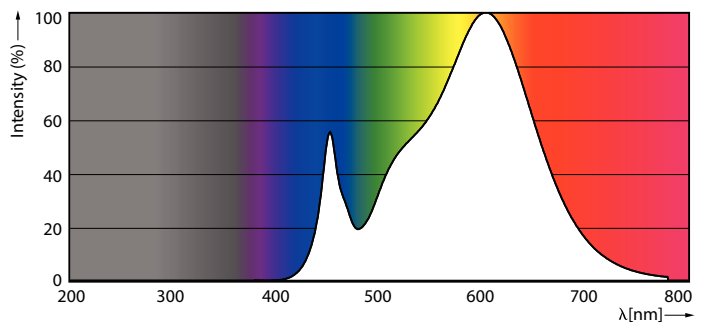


Product	D	C
CorePro LEDspot 7-50W 830 AR111 40D	110.7 mm	55 mm

Photometric data



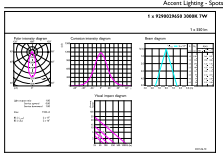
Light Distribution Diagram - CorePro LEDspot 7-50W 830 AR111 40D



Spectral Power Distribution Colour - CorePro LEDspot 7-50W 830 AR111 40D

CorePro LEDspot AR111

Photometric data

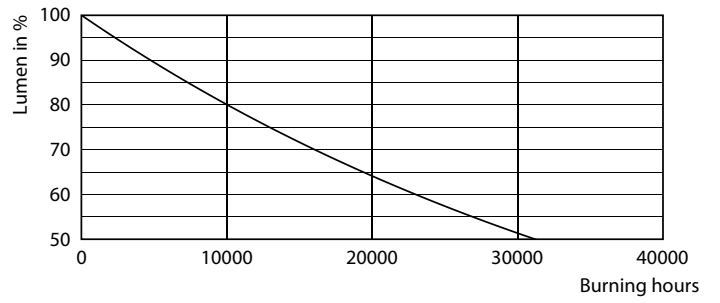


Accent Lighting Spots - CorePro LEDspot 7-50W 830 AR111 40D

Lifetime



Life Expectancy Diagram - CorePro LEDspot 7-50W 830 AR111 40D



Lumen Maintenance Diagram - CorePro LEDspot 7-50W 830 AR111 40D

