



Ledinaire floodlight

BVP155 LED150/840 PSU 150W AWB CE

LED module 15000 lm - 840 neutral white - Power supply unit - Asymmetrical

The Ledinaire range contains a selection of popular off-the-shelf LED luminaires that come with the Philips high-quality levels at a competitive price. Reliable, energy-efficient and affordable – just what you need.

Product data

General Information	
Lamp family code	LED150 [LED module 15000 lm]
Light source colour	840 neutral white
Light source replaceable	No
Number of gear units	-
Driver/power unit/transformer	PSU [Power supply unit]
Driver included	Yes
Optical cover/lens type	GC [Clear glass]
Luminaire light beam spread	30° x 80°
Control interface	-
Connection	Flying leads/cables
Cable	Cable 1.0 m without plug (C1K)
Protection class IEC	Safety class I
Flammability mark	NO [-]
CE mark	CE mark
ENEC mark	-
Warranty period	5 years
Outdoor optic type	Asymmetrical
Constant light output	No
Number of products on MCB	15

EU RoHS compliant	Yes
LED engine type	LED
Light Technical	
Upward light output ratio	0
Standard tilt angle post-top	0°
Standard tilt angle side entry	0°
Operating and Electrical	
Input voltage	220 to 240 V
Input frequency	50 or 60 Hz
Initial CLO power consumption	- W
Average CLO power consumption	- W
End CLO power consumption	- W
Inrush current	3.52 A
Inrush time	0.0254 ms
Power factor (min.)	0.9

Ledinaire floodlight

Controls and Dimming

Dimmable	No
----------	----

Mechanical and Housing

Housing material	Aluminium die-cast
Reflector material	Polycarbonate
Optic material	Polycarbonate
Optical cover/lens material	Glass
Fixation material	Steel
Mounting device	MBA [Mounting bracket adjustable]
Optical cover/lens shape	Flat
Optical cover/lens finish	Clear
Overall length	310 mm
Overall width	60 mm
Overall height	380 mm
Effective projected area	0.11 m ²
Colour	Aluminium and Grey
Dimensions (height x width x depth)	380 x 60 x 310 mm (15 x 2.4 x 12.2 in)

Approval and Application

Ingress protection code	IP65 [Dust penetration-protected, jet-proof]
Mech. impact protection code	IK08 [5 J vandal-protected]
Surge protection (common/differential)	Luminaire surge protection level up to 4 kV differential mode and 4 kV common mode

Initial Performance (IEC Compliant)

Initial luminous flux	15000 lm
Luminous flux tolerance	+/-10%
Initial LED luminaire efficacy	100 lm/W

Init. Corr. colour temperature	4000 K
Init. colour rendering index	80
Initial chromaticity	<7 SDCM
Initial input power	150 W
Power consumption tolerance	+/-10%

Over Time Performance (IEC Compliant)

Control gear failure rate at median useful life 50,000 h	10 %
Useful life L80B10	32000 h
Lumen maintenance at median useful life* 50,000 h	L70

Application Conditions

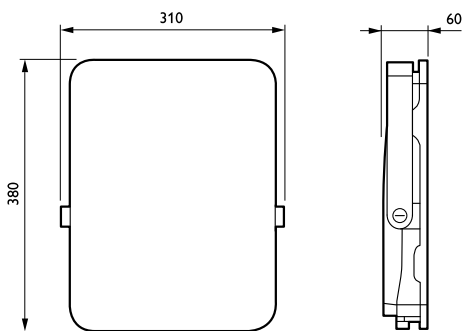
Ambient temperature range	-25 to +40 °C
Maximum dimming level	Not applicable

Product Data

Full product code	871016333129499
Order product name	BVP155 LED150/840 PSU 150W AWB CE
EAN/UPC – product	8710163331294
Order code	33129499
Numerator – quantity per pack	1
Numerator – packs per outer box	2
Material no. (12NC)	911401733312
Net weight (piece)	4.960 kg



Dimensional drawing



Ledinaire floodlight BVP105/106

Ledinaire floodlight

