
Product datasheet

P PAR 16 80 6.9 W/830 GU10

PARATHOM PAR16 | LED reflector lamps PAR16 with retrofit pin base



Areas of application

- Shops
- Hospitality
- Museums, art galleries
- Residential interiors
- As a downlight for marking walkways, doors, stairs, etc.
- Spotlighting for accents
- Display cabinets and shop windows
- Spotlighting heat-sensitive objects such as food, plants, etc.
- Outdoor applications only in suitable luminaires

Product family benefits

- Low energy consumption
- Easy replacement of halogen lamps due to compact full glass design and single optic
- Instant 100 % light, no warm-up time
- Ideal for economical spotlighting

Product family features

- Professional LED alternative to high voltage halogen lamps
- Mercury-free lamps
- Made in Germany



Technical data

Electrical data

| | |
|--|-------------|
| Rated wattage | 6.90 W |
| Nominal wattage | 6.90 W |
| Nominal voltage | 220...240 V |
| Claimed equiv. conventional lamp power | 80 W |
| Operating frequency | 50...60 Hz |
| Max. lamp no. on circuit break. 10 A (B) | 59 |
| Max. lamp no. on circuit break. 16 A (B) | 97 |
| Power factor λ | > 0.50 |

Photometrical data

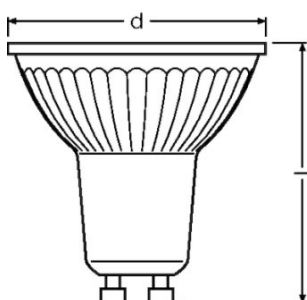
| | |
|---|---------------------------|
| Luminous intensity | 180 cd |
| Nominal luminous flux | 575 lm |
| Rated luminous flux | 575 lm |
| Rated color temperature | 3000 K |
| Color rendering index Ra | ≥ 80 |
| Light color (designation) | Warm White |
| Standard deviation of color matching | ≤ 6 sdc _m |
| Nominal useful luminous flux 90° | 575 lm |
| Rated useful luminous flux 90° | 575 lm |
| Rated peak intensity | 210 cd |
| Lumen main.fact.at end of nom.life time | 0.70 |

Light technical data

| | |
|------------------------------------|----------|
| Beam angle | 120 ° |
| Warm-up time (60 %) | < 0.50 s |
| Nominal beam angle | 120 ° |
| Rated beam angle (half peak value) | 120.00 ° |
| Starting time | < 0.5 s |

Product datasheet

Dimensions & weight



| | |
|------------------|---------|
| Overall length | 55.0 mm |
| Diameter | 51.0 mm |
| Outer bulb | PAR51 |
| Length | 55.0 mm |
| Maximum diameter | 51.0 mm |

Lifespan

| | |
|----------------------------|---------|
| Nominal lamp life time | 15000 h |
| Rated lamp life time | 15000 h |
| Number of switching cycles | 100000 |

Additional product data

| | |
|-----------------------------------|--|
| Base (standard designation) | GU10 |
| Mercury content | 0.0 mg |
| Mercury-free | Yes |
| Appropriate disposal acc. to WEEE | Yes |
| Product remark | All technical parameters apply to the entire lamp/Due to the complex production process for light-emitting diodes, the typical values shown for the technical LED parameters are purely statistical values that do not necessarily match the actual technical parameters of each individual product, which can vary from the typical value |

Capabilities

| | |
|----------|----|
| Dimmable | No |
|----------|----|

Certificates & standards

| | |
|-------------------------|----|
| Energy efficiency class | A+ |
|-------------------------|----|

Product datasheet

| | |
|--------------------|-------------|
| Energy consumption | 7 kWh/1000h |
|--------------------|-------------|

Country specific categorizations

| | |
|-----------------|-----------------------------------|
| ILCOS | DRPAR-6,9/830-220-240-GU10-50/120 |
| Order reference | LPPAR1680120 6, |

Logistical Data

| Product code | Product description | Packaging unit (Pieces/Unit) | Dimensions (length x width x height) | Volume | Gross weight |
|---------------|----------------------------|--|--------------------------------------|----------------------|--------------|
| 4058075815636 | P PAR 16 80 6.9 W/830 GU10 | Shipping carton box 10 Pieces Folding carton box | 255 mm x 107 mm x 72 mm | 1.96 dm ³ | 551.40 g |

The mentioned product code describes the smallest quantity unit which can be ordered. One shipping unit can contain one or more single products. When placing an order, for the quantity please enter single or multiples of a shipping unit.

References / Links

For further products and actual information concerning LED lamps see

▶ www.osram.com/ledlamps

For Guarantee see

▶ www.osram.com/guarantee

Disclaimer

Subject to change without notice. Errors and omission excepted. Always make sure to use the most recent release.

OSRAM GMBH is distribution partner
of LEDVANCE for Digital Lighting
Systems and Components

OSRAM

OSRAM GmbH
Marcel-Breuer-Strasse 6
80807 Munich, Germany