

GU10 CONNECT, 5W WIFI CONTROLLABLE, DIMMABLE AND TUNABLE WHITE LED LAMP

This GU10 lamp joins the exciting new ROBUS Connect family of products. Simply replace the existing GU10 lamp and download the ROBUS Connect App to control the downlights over WIFI or data by mobile phone locally or remotely. Group lamps together and set scenes by controlling on/off switching, dim level and tunable white colour temperature. Integrate the lamps with Google Assistant or Amazon Alexa WI-FI devices for voice activated control.



**Applications:**

- All rooms in the home
- Retail shops
- Complimentary lighting in offices
- Hotels & Function rooms
- Restaurants, Bars, Clubs and other entertainment venues
- Schools & Therapy units

**Construction:**

- All polycarbonate envelope
- Polycarbonate diffuser
- Steel cap pins
- Aluminium/FR4 Composite PCB

**Features and Benefits:**

- The lamps are Wi-Fi enabled so are controlled from the Robus Connect App through a local or remote Wi-Fi / data connection
- The Robus Connected devices provide multiple functionality which includes:
  - Within App instructions for pairing of Robus Connect products so is simplicity itself
  - On / off switching so lighting can be controlled from anywhere. You can switch off lights left on in another part of the house after going to bed, without getting up
  - Dimming for a more relaxing environment when watching TV or eating a meal
  - Tunable White Colour temperature control from warm to daylight white or anywhere in between dependent use of the lit space
  - Grouping a number of fittings together so they can all be controlled as one such as the lights in a bedroom or lounge
  - Scene setting which allows single or groups of fittings to be set to a specific state. A dining scene (1) whilst eating might need some lights over the table set to a higher level with lighting around the perimeter of the room set to low level  
After dinner you may wish to change the scene (2) to a low lit ambience whilst chatting and taking a relaxing drink
  - Scheduling allows setting up of "holiday mode" actions where lights can be set to come on or go off at specific times of the day or night
- Automation provides control of lighting dependent on such things as weather conditions, time, day, night, sunrise or sunset. These provide "triggers" resulting in actions such as switching an outside light on at sundown
- Compatibility with Amazon or Google devices provides ultimate voice control of your lighting anywhere in the house so any function in the app can become voice activated
- Many of these functions are brilliant for anyone who wants to take control of their lit space, from young children, to home-office working, to elderly or infirmed people who can control the colour and mood of their lighting depending on their activity, either by voice command or buttons on their tablet or phone
- The Robus Connect devices make your life SMART and enjoyable
- As well as these exciting modern lighting controls, GU10 Connect:
  - Is the same physical size as the traditional Halogen or LED GU10's and requires no special wiring
  - Will retro-fit into most GU10 downlights or luminaires
  - Is also the same shape so is aesthetically acceptable
  - Has superior lighting performance and efficacy so it will replace and provide greater light than most traditional light sources whilst making over 90% energy savings
  - Utilises high quality, independently tested, LM80 SMD LED's to provide long Rated LED Life so no lamp changes over life
  - Has Lumidat files suitable for lighting design software to provide optimum lighting for the use of the lit space

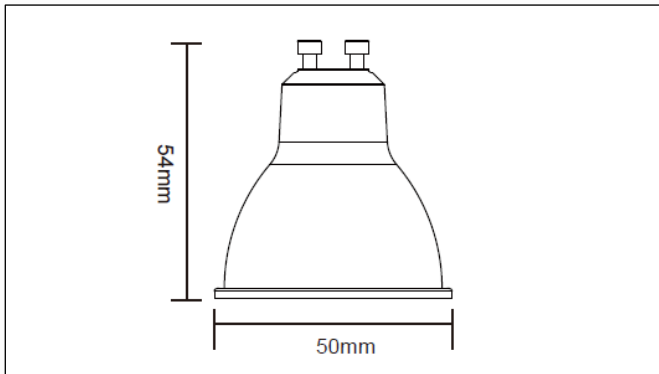
PLEASE NOTE: INFORMATION IN THIS DOCUMENT MAY BE SUBJECT TO CHANGE WITHOUT PRIOR NOTICE

IRE: TEL: +353 1 709 9000  
AUS: TEL: +61 7 3890 5444

WEB: WWW.ROBUS.COM  
WEB: WWW.ROBUS.COM.AU

GU10 CONNECT, 5W WIFI CONTROLLABLE, DIMMABLE AND TUNABLE WHITE LED LAMP

|                             |                |
|-----------------------------|----------------|
| Product Code:               | RCGU5CX        |
| Comparable to:              | 50W Halogen    |
| Total Power (W):            | 5.2 - 5.3      |
| Total Light Output (lm):    | 430 - 480      |
| Efficacy (lm / cctW):       | 83 - 93        |
| Illuminance at 1m (lux):    | 930 - 1,070    |
| Beam Angle (deg):           | 30             |
| CCT (K):                    | 2,700 - 6,500  |
| CRI (Ra):                   | 80             |
| Rated Life (hrs):           | 25,000         |
| Warranty (yrs):             | 2              |
| Ingress Protection (IP):    | 20             |
| Impact Rating (IK):         | 10             |
| Operating Temperature (°C): | -20 ≤ Ta ≤ +40 |
| Operating Voltage (Vac):    | 220-240        |
| Power Factor (PF):          | 0.5            |
| Height (mm):                | 53.5           |
| Diameter (mm):              | 50             |
| Box Qty:                    | 1              |
| Weight (kg):                | 0.03           |



Standards & Approvals:

Complies with: EN60598-1, EN55015, EN 61000-3-2, EN 61000-3-3, EN 62493, EN61547, EN 62471

Cone Illuminance Diagram:

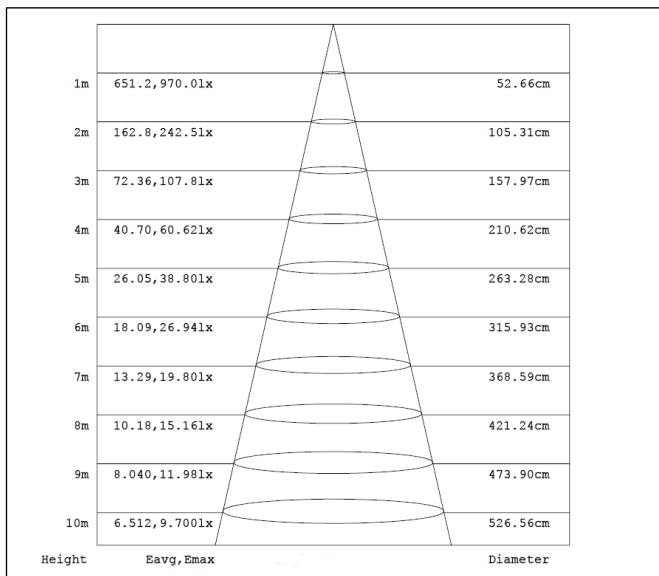


Diagram for RCGU5CX in 4,000K. Other diagrams available on request



Polar Intensity Diagram:

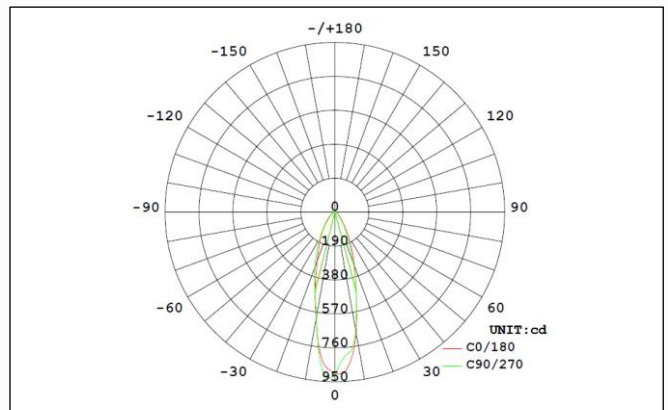


Diagram for RCGU5CX in 4,000K. Other diagrams available on request

PLEASE NOTE: INFORMATION IN THIS DOCUMENT MAY BE SUBJECT TO CHANGE WITHOUT PRIOR NOTICE

IRE: TEL: +353 1 709 9000  
 AUS: TEL: +61 7 3890 5444

WEB: WWW.ROBUS.COM  
 WEB: WWW.ROBUS.COM.AU