

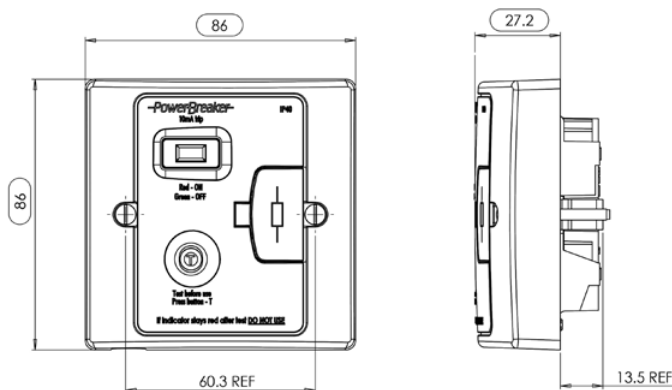
# RCD Fused Connection Units - 10mA Passive

*-PowerBreaker-*

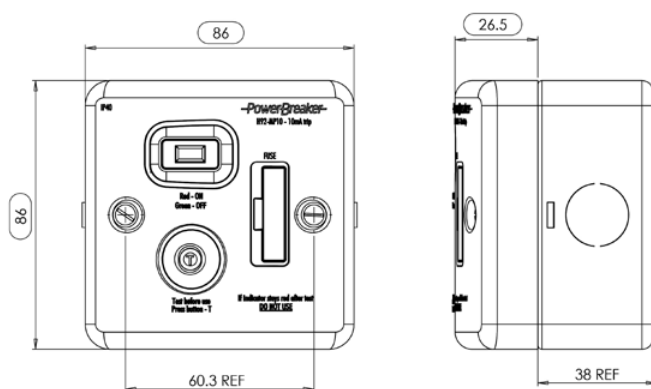
- + Mechanically latched (does not need resetting after a power loss)
- + Red & Green dual flag system to show power on/off
- + High intensity LED power on indicator
- + Cuts the power for added protection against electrocution
- + Fused for all fixed electrical appliances



**Type A RCD  
BS 7288-2016  
10mA**



**H92-WP10**



**H92-MP10**

	H92-WP10	H92-MP10
Product Finish	White	Metalclad
Barcode	5012739646935	5012739646942
Product Weight	195g	392g
Product Dimensions	86 x 86 x 27.2mm	86 x 86 x 26.5mm
Voltage	230V AC ~ 50Hz	
Max Operating Current	13A (13A Inductive)	
IP Rating	IP40	
Rated Trip Current	10mA	
Typical Trip Speed	Less than 20mS (typical)	
RCD Contact Break	Double Pole	
Terminal Capacity	6mm <sup>2</sup> max	
Rated Short Circuit Breaking & Making Capacity	250A	
Rated Conditional Short-Circuit Current	1500A Power Factor Range .93 to .98	
Latching	Mechanical - No need to reset after Power Loss (Passive)	
Responsive To	Pulsating DC earth faults	
Main Housing Material	Polycarbonate	Steel
Cord Anchorage	Cable Dia: 4.6mm - 10.4mm Cable Size - 0.5mm <sup>2</sup> to 1.5mm <sup>2</sup>	
Guarantee	1 Year	
Conforms To	BS 7288-2016 / BS 1363-4:2016	

**TECHNICAL DATA SHEET**

**GREEN  
BROOK  
ELECTRICAL**

Tel: 01279 772 772

Fax: 01279 422 007

Email: sales@greenbrook.co.uk

www.greenbrook.co.uk