

Wall mounted PIR

Installation instructions for LEV68003 stand alone detector



Warnings & Cautions

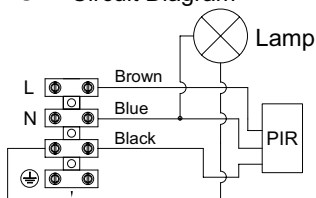
- To avoid electric shock, serious injury or property damage, isolate power before installing, removing or servicing the product.
- It is recommended that this product is installed by a qualified electrician to ensure the installation complies with the local current wiring regulations.
- Any broken or damaged parts should be replaced as soon as possible.
- JCC will not accept responsibility for claims arising from sub-standard installations; which will void the warranty.
- This product is designed for connection to a 240V~ 50Hz.
- It may be necessary to upgrade your MCBs to allow for increased inrush current.
- Do not install in areas that are exposed to continual running water or prone to flooding.
- Ensure that the mounting surface is both flat and stable.
- Never remove the lens cover as this will damage the sensor & render all warranties invalid.
- Suitable for 1000W halogen only & 300W for LED or CFL only.

INSTALLATION

ENGLISH

240V~ 50Hz Class I

Fig. 1 Circuit Diagram



PIR Specification

Time Delay: Max. 10+5sec. ~4+1min.
 Detection Distance*: Max. 12+2m
 Detection Range: 180°
 Installation Height: 2.5m Max.

*Detection distance will vary, depending on installation height

Available finishes: Black & White

- Read instructions and check that you have all of the tools and accessories required to complete the installation correctly. Isolate power supply before starting the installation.

Fig. 2

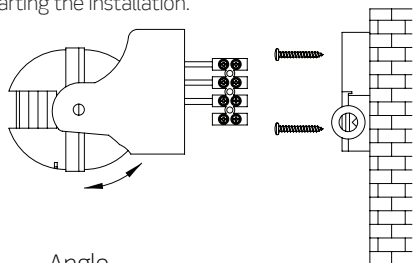


Fig. 4

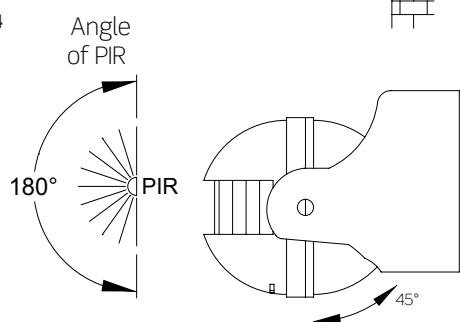


Fig. 5

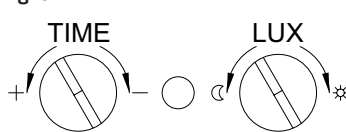
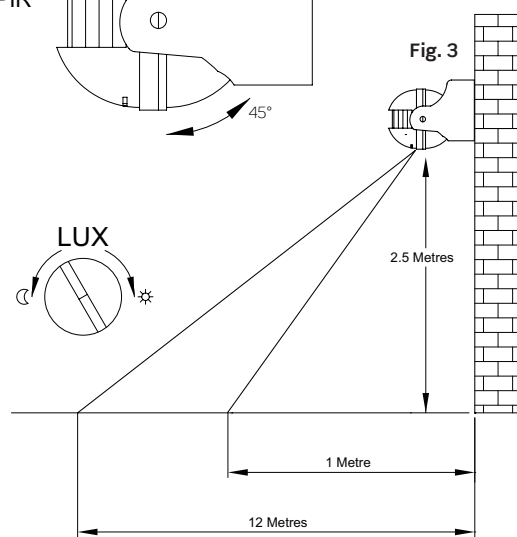


Fig. 3



General Maintenance

JCC recommends that all exterior products, especially those with stainless steel components are cleaned with warm water and dried with a chamois leather or absorbent dry cloth. Weathering, environmental pollution and bird droppings should be cleaned off with a non-abrasive cleaner suitable for the material type. To preserve the finish of the product, clean every two to three months. After installation is complete, then bi-annually, grease or lubricate removable fixings, to help ensure maintenance is trouble free.

Installation

- Remove the two screws securing back plate.
- Use back plate as a template to mark the holes for the fixings supplied and secure to the desired location. See fig.2.
- Feed power supply through the IP rated grommet and terminate wiring as per Fig.1.
- Replace main cover and check for operation as shown below.
- Once powered the PIR will operate; which is indicated by the attached luminaire flashing three times prior to going in to auto mode.

Positioning The Unit (Fig. 3)

When selecting the mounting position take into account the following points:

- The sensor is designed for optimum performance when mounted 2.5 meters above ground level.
- Avoid positioning close to trees or shrubs; which may cause false triggering during windy weather.
- Avoid pointing at or positioning close to heat sources such as flu's of heat extraction units; which may cause false triggering.
- Avoid positioning too close to bright lights, the unit will not function when setting LUX level to dark.
- The sensor is most sensitive to movement across the detection area as opposed to directly towards or away from the unit.

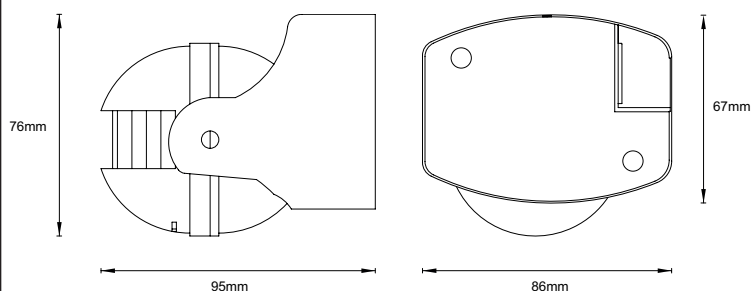
The Field of Detection (Fig. 4)

The field of detection can be adjusted 45° in a vertical direction. By means of adjustment the permanent 180° field of detection can be directed to avoid any false detections from neighbouring grounds or streets.

Operation Mode & Adjusting (Fig. 5)

- ADJUSTING THE LUX CONTROL LEVEL:** The LUX control module has a built in sensing device (photocell) that detects daylight and darkness by rotating the LUX knob clockwise or anti clockwise/dark to light, you can set unit to the desired LUX level. Note: Wait for 5 - 10 seconds for the stability of the photocell (CDS) when adjusting the LUX level.
- ADJUSTING THE DURATION TIME:** The length of time sensor remains on after activation can be adjusted from (10±5seconds to 4±1minutes). Rotate the TIME knob to increase or decrease the duration time. Note: Once the load has been triggered by the PIR detector any subsequent detection will restart the time period.
- The PIR detector will change to MANUAL MODE from AUTO MODE by effective override switching (ON / OFF mains switch twice within 3 secs).
MANUAL MODE: This will stay in this mode for up to 8 hours. Turn off the override switch for more than 3 mins to begin new process for MODE CHANGE.

Profile & Dimensions



Important warranty information

This product is supported by a 2-year standard warranty. (See website for terms and conditions).

BS EN ISO9001 - 2015 - Registered Firm Certificate No. GB 1552

JCC Lighting Products Ltd. Innovation Centre, Beeding Close, Southern Cross Trading Estate, Bognor Regis, West Sussex, PO22 9TS, United Kingdom

Technical Support: +44(0)1243 838986 Customer Services: +44(0)1243 838999

V4_Dec_2020_GL