

# JC73508

## Skydisc IP65

Skydisc IP65 23W 5700K dimmable 2100Lm

### Features & Benefits

- Polycarbonate construction
- Triac dimmable as standard
- Low profile design ideal for use in shallow voids
- IP65 suitable for use in bathrooms (internal use only)



RATING



DIMMABLE



BEAM



CLASS II



WARRANTY



CRI:RA

### General Information

|                              |                                     |
|------------------------------|-------------------------------------|
| Product Group                | LED - Recessed                      |
| Product Range                | Skydisc IP65                        |
| Trade Name                   | Skydisc                             |
| Light Source                 | LED                                 |
| Light Source Features        | Cool White                          |
| Product Shape                | Round                               |
| Additional Information       | Not suitable for use with JCEM001ST |
| Mounting                     | Recessed                            |
| Product Weight               | 0.405kg                             |
| Color Finish                 | White                               |
| Overall Dimensions (mm) Rim  | Ø240mm                              |
| Recommended Product Location | Indoor only                         |
| Method Of Fix                | Spring Clips (supplied)             |
| Product Aperture Size        | 230mm                               |
| IP Rating                    | IP65                                |

|                                |  |
|--------------------------------|--|
| Environment                    | <b>Indoor</b>  |
| Suitable For Zones             | <b>Zone 1</b>  |
| Luminaire Accessories          | <b>Emergency remote pack JCEM001</b>   |
| Origin of manufacturer         | <b>Made In China</b>   |
| Warranty                       | <b>2 years standard warranty extends to 3 years when registered within the first year of purchase (See Website for terms and conditions)</b> |
| Dimming Protocol Compatibility | <b>Triac</b>   |
| Driver Manufacturer            | <b>JCC</b>   |
| LED Manufacturer/Type          | <b>Runlite</b>   |
| Lighting Product Type 1        | <b>Downlight</b>   |

## Electrical

|                              |  |
|------------------------------|--|
| Voltage Rating               | <b>220-240</b>   |
| Secondary Running Current    | <b>270mA</b>   |
| Primary Running Current      | <b>0.18 Amp</b>  |
| Operating Frequency Hz       | <b>50/60Hz</b>   |
| CC or CV                     | <b>Constant current</b>  |
| Luminaire Circuit Wattage    | <b>23W</b>   |
| Class                        | <b>Class II, double insulated no earth required</b>                |
| Output Voltage (V)           | <b>75.6-89.1VDC</b>  |
| EMC Compliant (EN55015)      | <b>Yes</b>   |
| Power Factor Correction      | <b>0.9</b>   |
| Input Electrical Connections | <b>Live &amp; Neutral: Class II, no Earth connection required.</b> |
| Dimmable                     | <b>Yes, Triac compatible</b>                                       |

## Thermals

|                     |                                     |
|---------------------|-------------------------------------|
| Insulation Coverage | <b>Do not cover with insulation</b> |
|---------------------|-------------------------------------|

## Performance Data

|                  |              |
|------------------|--------------|
| LED Life (Hours) | <b>36000</b> |
|------------------|--------------|

Hours life stated is an indication of expected L70 chip and light output calculations when operating in optimum conditions. Product warranty period supports the full product during the term given. The L70 hours expectancy is not correlated with the full product warranty term, nor is it a representation of lumen depreciation during the warranty period.

|                              |  |
|------------------------------|--|
| Energy Rating                | <b>This product contains a light source of energy efficiency class G</b> |
| Actual Lumen Output          | <b>2100</b>  |
| Lumens Per Circuit Watt      | <b>91</b>  |
| Color Rendering Index        | <b>80-89</b>   |
| CRI: Ra                      | <b>80</b>  |
| Correlated Color Temperature | <b>5700K</b>   |
| Light Distribution Detail    | <b>120-degree</b>  |
| LOR (Light Output Ratio) %   | <b>100</b>   |

Photometry Available

Yes

## Construction

Primary Material

Polycarbonate

Driver Housing

Polycarbonate

## Packaging

Quantity Per Outer Carton

40

Product Bar Code EAN-13 Number

5052544102318

Outer carton Bar Code ITF-14 Number

15052544102315

## Standards & Approvals

Manufactured In Accordance To

BS EN 60598:2015, 2-1, 2-2

CE Marked

Yes

UKCA Marked

Yes

WEEE Symbol

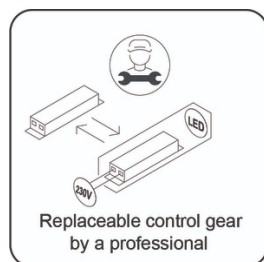
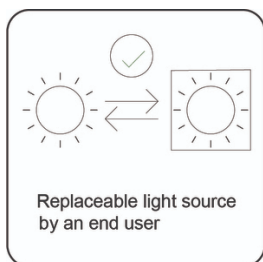
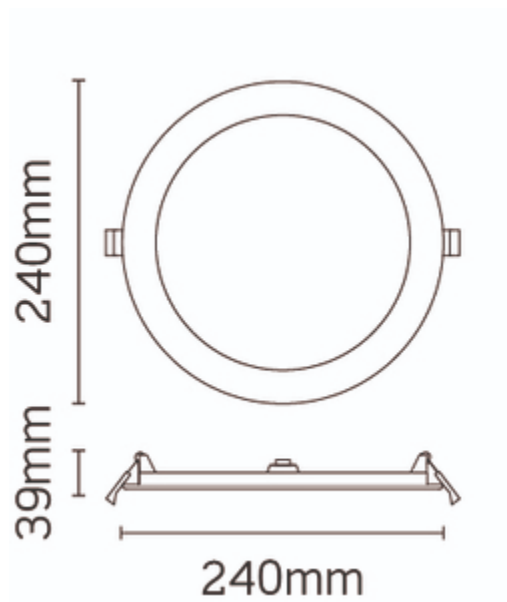
Yes

Certificate Of Conformity

Yes: available on request.

Accredited Members

LIA, ISO9001:2015, ISO14001:2015





---

JCC Lighting LTD Innovation Centre, Beeding Close, Southern Cross Trading Estate, Bognor Regis, West Sussex PO22 9TS  
Sales: 01243 838999 (8am to 5pm Monday to Friday) Fax: 01243 838998 | [sales@jcc.co.uk](mailto:sales@jcc.co.uk) | [www.jcc.co.uk](http://www.jcc.co.uk)  
Company Registration Number: 03044848 | VAT Number: 918544112

This document is uncontrolled if printed, all information is subject to change

Version 55 [23 Apr 2021]