

Skydisc™ IP65 Range

Installation instructions for LED commercial downlights



Warnings & Cautions

- To avoid electric shock, serious injury or property damage, isolate power before installing, removing or servicing the product.
- It is recommended that luminaires are installed by a qualified electrician to ensure the installation complies with the local current wiring regulations.
- Any broken or damaged parts should be replaced as soon as possible. JCC will not accept responsibility for claims arising from sub-standard installations; which will void the warranty.
- It may be necessary to upgrade your MCBs to allow for increased inrush current.
- This product is suitable for indoor and outdoor use.
- Read instructions and check that you have all of the tools and accessories required to complete the installation correctly. Isolate power supply before starting installation.
- This product is designed for connection to a 220-240V~ 50/60Hz.

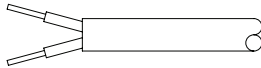
INSTALLATION

ENGLISH

220-240V~ 50/60Hz / Class II


LIVE = BROWN

NEUTRAL = BLUE

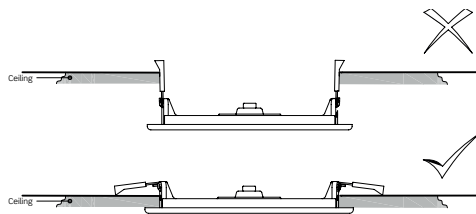


Double insulated- no earth required

Installation procedure

1. Cut the mounting hole in the ceiling (refer to Fig.1). (JCC recommends that a sample hole is cut in a section of spare material to familiarize yourself with the process).
2. Ensure there is a minimum of 75mm space around the fitting. DO NOT COVER the fitting with insulation as indicated by this symbol  on the luminaire.
3. Connect the mains supply to the luminaire driver as above.
4. Turn on the power supply to test the fitting. Once satisfied that the luminaire is functioning correctly, press the spring clips against the side of the luminaire and fit into the aperture.

Note: when fitting the luminaire do not partially install as shown below as this can cause damage to the fitting ie. if decorating.



PLEASE NOTE

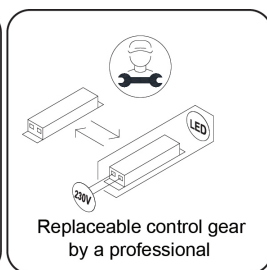
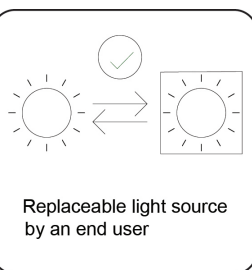
When converting to emergency version using JCEM001/JCEM001ST, to access DC connectors remove green cover on the DC side of the driver. Once connected, replace connectors inside driver and refit cover.

Code	Wattage	Colour Temperature	Lumens	LpcW
JC72501	7W	4000K	650	93
JC72502	13W	4000K	1300	100
JC72503	17W	4000K	1700	100
JC72504	23W	4000K	2100	91
JC72505	7W	4700K	650	93
JC72506	13W	4700K	1300	100
JC72507	17W	4700K	1700	100
JC72508	23W	4700K	2100	91
JC73505	7W	5700K	650	93
JC73506	13W	5700K	1300	100
JC73507	17W	5700K	1700	100
JC73508	23W	5700K	2100	91

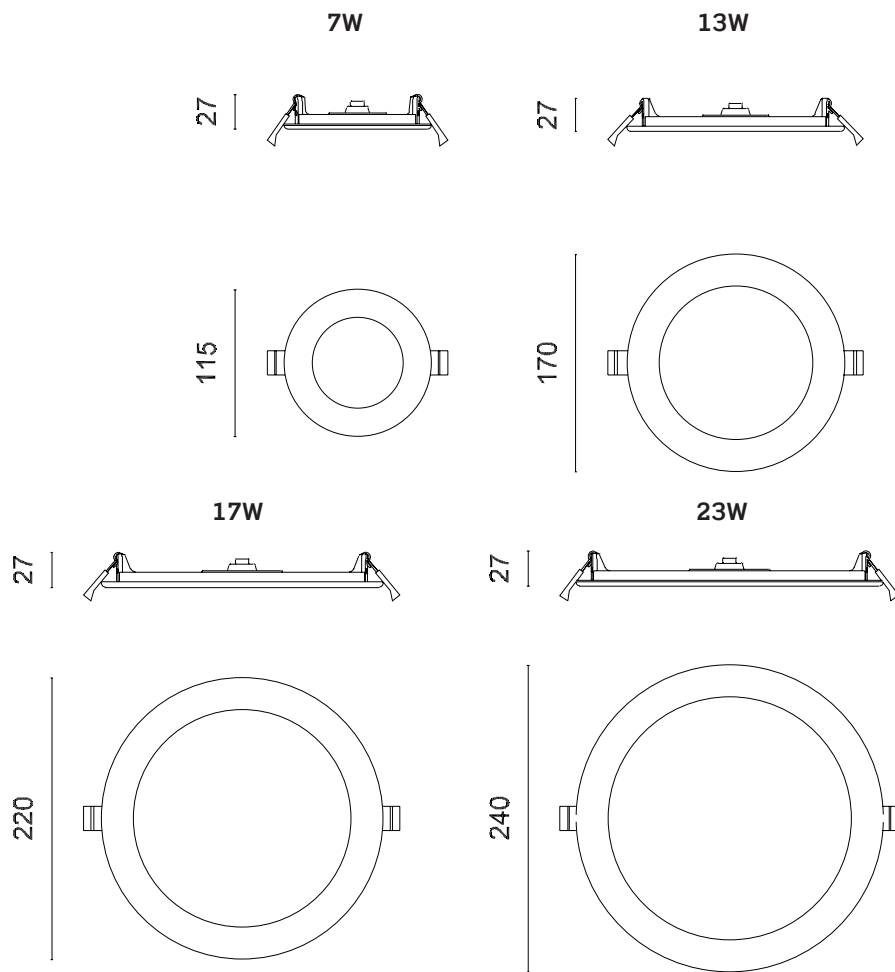
Figure 1.

Skydisc™IP65	Driver output VDC	Cut out size
7W	57.75-63 VDC	Ø100mm-110mm
13W	50.4-59.4VDC	Ø150mm-160mm
17W	67.2-79.2VDC	Ø200mm-210mm
23W	75.6-89.1VDC	Ø220mm-230mm

You can help protect the environment. Please remember to respect the local regulations: hand in the non-working electrical equipment to an appropriate waste disposal centre. The packaging material is recyclable. Dispose of the packaging in an environmentally friendly manner and make it available for the recyclable material collection service.



Profile & Dimensions



All dimensions in millimetres



Important warranty information

This product is supported by a 2-year standard warranty which will extend to 3 years if registered within the first year of purchase. Please register at jcc.co.uk/warranty - Terms and conditions apply.

The installer will be asked to provide the following information, which is detailed on a label attached to the luminaire's chassis:
Product Code/Date Code.