

# JC72402

## Skydisc IP20

Skydisc IP20 16W 4000K 1300Lm

### Features & Benefits

- Polycarbonate construction
- Three sizes available
- Ultra low profile design
- Non-dimmable



CLASS II



120°  
BEAM



80  
CRI:RA



5yr  
WARRANTY



IP  
20  
RATING

### General Information

Product Group	LED - Recessed
Product Range	Skydisc IP20
Trade Name	Skydisc
Light Source	LED
Light Source Features	Neutral White
Product Shape	Round
Mounting	Recessed
Product Weight	0.337kg
Color Finish	White
Overall Dimensions (mm) Rim	Ø220mm
Recommended Product Location	Interior Recessed
Method Of Fix	Spring Clips (supplied)
Product Aperture Size	210mm
IP Rating	IP20
Environment	Indoor

Luminaire Accessories	<b>Emergency remote pack JCEM001</b>
Origin of manufacturer	<b>Made In China</b>
Warranty	<b>2 years standard warranty extends to 3 years when registered within the first year of purchase (See Website for terms and conditions)</b>
Driver Manufacturer	<b>JCC</b>
LED Manufacturer/Type	<b>Runlite</b>
Lighting Product Type 1	<b>Downlight</b>

## Electrical

Voltage Rating	<b>220-240</b>
Secondary Running Current	<b>240mA</b>
Primary Running Current	<b>117mA</b>
Operating Frequency Hz	<b>50/60Hz</b>
CC or CV	<b>Constant Currant</b>
Luminaire Circuit Wattage	<b>16</b>
Class	<b>II: Double Insulated, no Earth required.</b>
Output Voltage (V)	<b>53.2-62.7VDC</b>
EMC Compliant (EN55015)	<b>Yes</b>
Power Factor Correction	<b>0.9</b>
Input Electrical Connections	<b>Live &amp; Neutral</b>
Dimmable	<b>No</b>

## Thermals

Room Ambient Temperature Not To Exceed	<b>30°</b>
Insulation Coverage	<b>Do not cover with insulation</b>

## Performance Data

LED Life (Hours)	<b>30000</b>
------------------	--------------

Hours life stated is an indication of expected L70 chip and light output calculations when operating in optimum conditions. Product warranty period supports the full product during the term given. The L70 hours expectancy is not correlated with the full product warranty term, nor is it a representation of lumen depreciation during the warranty period.

Energy Rating	<b>This product contains a light source of energy efficiency class G</b>
Actual Lumen Output	<b>1300</b>
Lumens Per Circuit Watt	<b>81</b>
Color Rendering Index	<b>80-89</b>
CRI: Ra	<b>80</b>
Correlated Color Temperature	<b>4000K</b>
Light Distribution Detail	<b>120-degree</b>
LOR (Light Output Ratio) %	<b>100</b>
Photometry Available	<b>Yes</b>

## Construction

Primary Material

Polycarbonate

## Packaging

Product Packaged Weight

0.44kg

Quantity Per Outer Carton

40

Product Bar Code EAN-13 Number

5052544080395

## Standards & Approvals

Manufactured In Accordance To

BS EN 60598:2015, 2-1, 2-2

CE Marked

Yes

UKCA Marked

Yes

WEEE Symbol

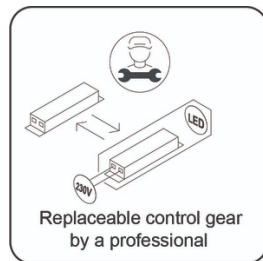
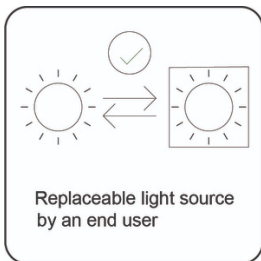
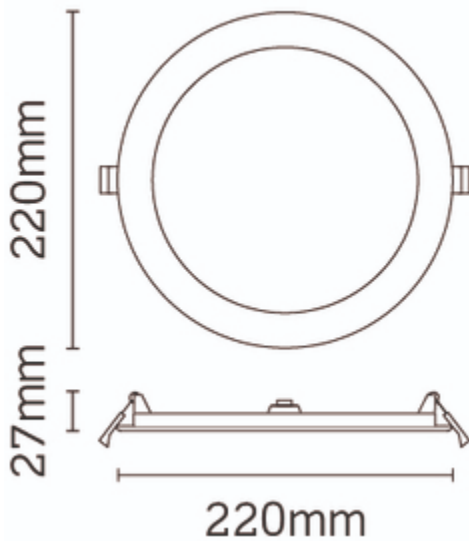
Yes

Certificate Of Conformity

Yes: available on request.

Accredited Members

LIA, ISO9001:2015, ISO14001:2015





---

JCC Lighting LTD Innovation Centre, Beeding Close, Southern Cross Trading Estate, Bognor Regis, West Sussex PO22 9TS  
Sales: 01243 838999 (8am to 5pm Monday to Friday) Fax: 01243 838998 | [sales@jcc.co.uk](mailto:sales@jcc.co.uk) | [www.jcc.co.uk](http://www.jcc.co.uk)  
Company Registration Number: 03044848 | VAT Number: 918544112

This document is uncontrolled if printed, all information is subject to change

Version 56 [23 Apr 2021]