

# JC45200BLK

## LED Floodlights

10W LED Floodlight IP65 Alu 4000K Black

### Features & Benefits

- Highly efficient at 100 Lumens per circuit Watt
- Angled bracket for easy installation
- Driverless technology
- Supplied pre-wired with 800mm flex
- Available in black and white colour variants



BEAM



WARRANTY



RATING



CLASS I



CRI:RA

### General Information

Product Group

**Floodlight**

Product Range

**Domestic Exterior**

Light Source

**LED**

Light Source Features

**Neutral White**

Product Shape

**Rectangular**

Mounting

**Wall**

Product Weight

**0.31kg**

Color Finish

**Black**

Overall Dimensions

**131.4 x 26.5 x 107.8mm**

Recommended Product Location

**Exterior, general security lighting**

Method Of Fix

**Mounting Bracket with suitable fixings (not supplied)**

IP Rating

**IP65**

Environment

**Outdoor**

Origin of manufacturer

**China**

Warranty

**2 years standard warranty extends to 3 years when**

Driver Manufacturer  
LED Manufacturer/Type  
Lighting Product Type 1

registered within the first year of purchase (See Website for terms and conditions)  
No driver, mains LED Chips  
Optoelectronics 2835  
Wall Light

## Electrical

Voltage Rating **220-240**  
Primary Running Current **0.06~0.75A**  
Operating Frequency Hz **50Hz**  
Luminaire Circuit Wattage **10W**  
Class **Class I**  
Total Harmonic Distortion (THD)% **1.795**  
EMC Compliant (EN55015) **Yes**  
Power Factor Correction **0.5**  
Input Electrical Connections **Live, Earth and Neutral**  
Dimmable **No**

## Thermals

Room Ambient Temperature Not To Exceed **45°C**  
Operating Temperature Range **-20°C to 40°C**

## Performance Data

LED Life (Hours) **47000**  
Lamp Life (Hours) **36000**

Hours life stated is an indication of expected L70 chip and light output calculations when operating in optimum conditions. Product warranty period supports the full product during the term given. The L70 hours expectancy is not correlated with the full product warranty term, nor is it a representation of lumen depreciation during the warranty period.

Energy Rating **This product contains a light source of energy efficiency class F**  
Actual Lumen Output **1000**  
Lumens Per Circuit Watt **100**  
Standard Deviation Colour Matching - SDCM **<6**  
Color Rendering Index **50-79**  
CRI: Ra **70**  
Correlated Color Temperature **4000K**  
Light Distribution Detail **110-degree**  
Photometry Available **Yes**

## Construction

Primary Material **Aluminum**  
Inner Diffuser **Toughened Glass**

## Packaging

Product Packaged Weight

0.36kg

Quantity Per Outer Carton

40

Product Bar Code EAN-13 Number

5052544079849

## Standards & Approvals

Manufactured In Accordance To

BS EN 60598-2015,2-1,2-5

CE Marked

Yes

UKCA Marked

Yes

Date code/Purchase order No.

Yes

WEEE Symbol

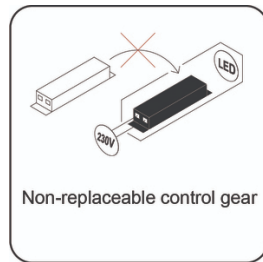
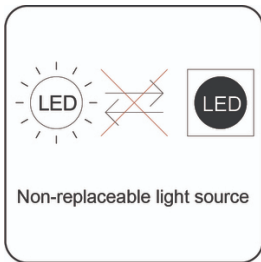
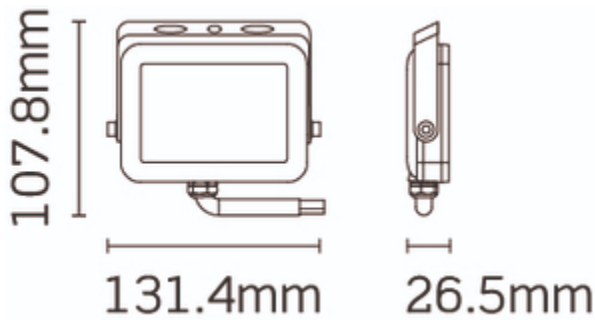
Yes

Certificate Of Conformity

Yes, available on request

Accredited Members

LIA, ISO9001:2015, ISO14001:2015



JCC Lighting LTD Innovation Centre, Beeding Close, Southern Cross Trading Estate, Bognor Regis, West Sussex PO22 9TS  
Sales: 01243 838999 (8am to 5pm Monday to Friday) Fax: 01243 838998 | [sales@jcc.co.uk](mailto:sales@jcc.co.uk) | [www.jcc.co.uk](http://www.jcc.co.uk)  
Company Registration Number: 03044848 | VAT Number: 918544112

This document is uncontrolled if printed, all information is subject to change

Version 123 [08 Jun 2021]