

JC1005

V50 Accessories

V50 standard product concealer ring (5 in pack)



Features & Benefits

- Covers ceiling cut outs damaged from previous fittings
- For use with ceiling cut outs 80-105mm in diameter with V50
- White finish to match standard ceiling colour
- Ideal for installing V50 into suspended ceilings
- Does not maintain fire rating



WARRANTY RATING

General Information

Product Group	LED - Concealer Ring
Product Range	V50
Trade Name	V50
Product Shape	Round
Product Weight	0.2kg
Color Finish	White
Overall Dimensions	Ø115.3 x 8mm
Origin of manufacturer	Made In China
Warranty	2 year standard warranty (See Website for terms and conditions)
Lighting Product Type 1	Accessory

Construction

Primary Material	Steel
------------------	-------

Packaging

Product Bar Code EAN-13 Number	5052544081330
--------------------------------	---------------

Standards & Approvals

Manufactured In Accordance To	BS EN 60598:2015, 2-1
-------------------------------	-----------------------

CE Marked

Date code/Purchase order No.

Certificate Of Conformity

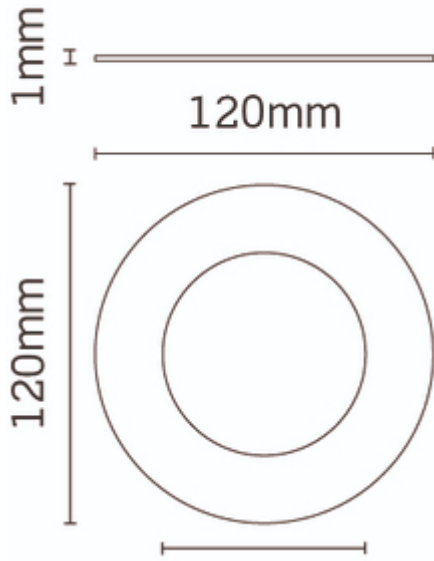
Accredited Members

Yes

Yes

Available on request

LIA, ISO9001:2015, ISO14001:2015



JCC Lighting LTD Innovation Centre, Beeding Close, Southern Cross Trading Estate, Bognor Regis, West Sussex PO22 9TS

Sales: 01243 838999 (8am to 5pm Monday to Friday) Fax: 01243 838998 | sales@jcc.co.uk | www.jcc.co.uk

Company Registration Number: 03044848 | VAT Number: 918544112

This document is uncontrolled if printed, all information is subject to change

Version 19 [11 Nov 2020]