

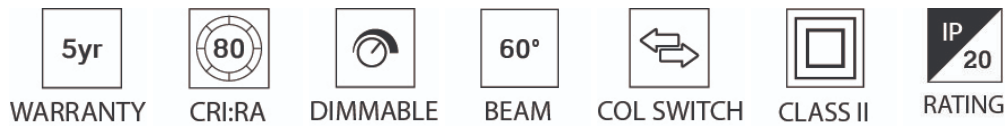
# JC1002/BN

## V50 Tilt

V50 Tilt Fire-rated LED downlight 7.5W 650lm IP20 BN

### Features & Benefits

- Two colour selectable from below the ceiling 3000K & 4000K
- 20° tiltable and 350° rotatable lens
- Tested for use in fire-rated ceilings
- Strong protected spring clips
- Fast push-fit termination with remote driver
- Triac dimmable as standard (recommended dimmer list on JCC website)



### General Information

Product Group	<b>Fire-rated Downlights</b>
Product Range	<b>V50</b>
Trade Name	<b>V50</b>
Light Source	<b>LED</b>
Light Source Features	<b>Colour Selectable</b>
Product Shape	<b>Round</b>
Mounting	<b>Recessed</b>
Product Weight	<b>0.46kg</b>
Color Finish	<b>Brushed Nickel</b>
Overall Dimensions	<b>Ø100 x 105</b>
Overall Dimensions (mm) Rim	<b>Ø100</b>
Recommended Product Location	<b>Indoor use only</b>
Minimum Void Requirement	<b>50mm</b>
Method Of Fix	<b>Recessed with Spring Clips</b>
Product Aperture Size	<b>85mm</b>

IP Rating	<b>IP20</b>
Environment	<b>Indoor</b>
Suitable For Zones	<b>Outside zone 2</b>
Luminaire Accessories	<b>Converter Plate</b>
Duration of Fire protection ( Mins)	<b>Tested for use in fire-rated ceilings. Full information and up-to-date fire testing certificates for ceiling system types are available on JCC.CO.UK</b>
Origin of manufacturer	<b>Made In China</b>
Warranty	<b>2 years standard warranty extends to a 3 year commercial warranty or 5 year domestic warranty when registered within the first year of purchase (See Website for terms and conditions)</b>
Dimming Protocol Compatibility	<b>Triac</b>
Driver Manufacturer	<b>JCC</b>
LED Manufacturer/Type	<b>Hongli</b>
Lighting Product Type 1	<b>Fired Rated Downlights</b>

## Electrical

Voltage Rating	<b>230-240</b>
Secondary Running Current	<b>180mA</b>
Operating Frequency Hz	<b>50/60Hz</b>
CC or CV	<b>CC</b>
Luminaire Circuit Wattage	<b>7.5</b>
Sec - Voltage (V)	<b>36VDC</b>
Class	<b>II</b>
Input Electrical Connections	<b>Push Fit Terminals LEN Loop In/Loop Out</b>
Dimmable	<b>Yes</b>
Max No. In Run	<b>20</b>

## Thermals

Room Ambient Temperature Not To Exceed	<b>30°C</b>
Insulation Coverage	<b>Loosely Cover with Mineral Wool Insulation</b>
Minimum Void Requirement	<b>50mm</b>

## Performance Data

LED Life (Hours)	<b>51000</b>
<b>Hours life stated is an indication of expected L70 chip and light output calculations when operating in optimum conditions. Product warranty period supports the full product during the term given. The L70 hours expectancy is not correlated with the full product warranty term, nor is it a representation of lumen depreciation during the warranty period.</b>	
Energy Rating	<b>This product contains a light source of energy efficiency class F</b>
Actual Lumen Output	<b>600/650</b>
Lumens Per Circuit Watt	<b>80/87</b>

Color Rendering Index	<b>80-89</b>
CRI: Ra	<b>80</b>
Correlated Color Temperature	<b>3000K/4000K</b>
Light Distribution Detail	<b>60-degree</b>
LOR (Light Output Ratio) %	<b>100</b>
Photometry Available	<b>Yes: available on request.</b>

## Construction

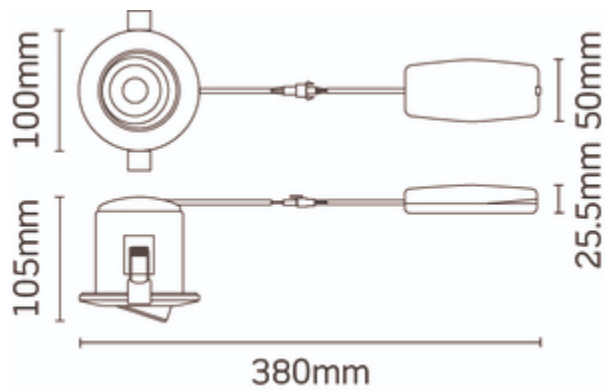
Primary Material	<b>Steel</b>
Lens	<b>PC</b>
Heat Sink	<b>Extruded Aluminium</b>
Driver Housing	<b>Polycarbonate</b>
Rim Or Attachment	<b>Die-cast Aluminium</b>

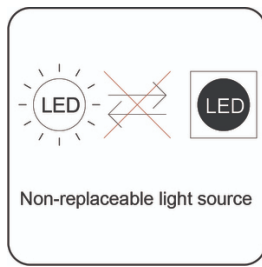
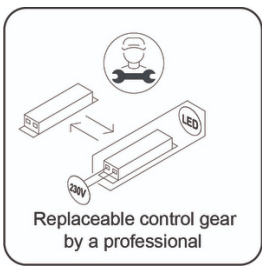
## Packaging

Product Packaged Weight	<b>0.57kg</b>
Quantity Per Outer Carton	<b>20</b>
Product Bar Code EAN-13 Number	<b>5052544081248</b>

## Standards & Approvals

Manufactured In Accordance To	<b>BS EN 60598:2015, 2-1, 2-2</b>
CE Marked	<b>Yes</b>
UKCA Marked	<b>Yes</b>
WEEE Symbol	<b>Yes</b>
Certificate Of Conformity	<b>Yes: available on request.</b>
Accredited Members	<b>LIA, ISO9001:2015, ISO14001:2015</b>





---

JCC Lighting LTD Innovation Centre, Beeding Close, Southern Cross Trading Estate, Bognor Regis, West Sussex PO22 9TS  
Sales: 01243 838999 (8am to 5pm Monday to Friday) Fax: 01243 838998 | [sales@jcc.co.uk](mailto:sales@jcc.co.uk) | [www.jcc.co.uk](http://www.jcc.co.uk)  
Company Registration Number: 03044848 | VAT Number: 918544112

This document is uncontrolled if printed, all information is subject to change

Version 79 [09 Jun 2021]