

JC1001/BN

V50

V50 Fire-rated LED downlight 7.5W 650lm IP65 BN

Features & Benefits

- Two colour selectable from below the ceiling 3000K & 4000K
- Ultra-low profile suitable for shallow 50mm ceiling voids
- Tested for use in fire-rated ceilings
- IP65 suitable for bathrooms (internal use only)
- Strong protected spring clips
- Fast push-fit termination with remote driver
- Twist & lock bezel design
- Available as complete fixture (JC1001) or without bezel (JC1001/NB)
- JC1001/NB requires separate bezel (JC1006)



EMERGENCY



BEAM



COL SWITCH



CLASS II



CRI:RA



WARRANTY



DIMMABLE



RATING

General Information

Product Group

Fire-rated Downlights

Product Range

V50

Trade Name

V50

Light Source

LED

Light Source Features

Colour Selectable

Product Shape

Round

Mounting

Recessed

Product Weight

0.29 kg

Color Finish

Brushed Nickel

Overall Dimensions

Ø84 x 67.7

Overall Dimensions (mm) Rim

Ø84

Recommended Product Location

Indoor use only

Minimum Void Requirement

50mm

Method Of Fix

Recessed with Spring Clips

Product Aperture Size

70mm

IP Rating	IP65
Environment	Indoor
Luminaire Accessories	Black, Brushed Brass, Chrome or White Replacement Bezel; Concealer Ring; Converter Plate
Duration of Fire protection (Mins)	Tested for use in fire-rated ceilings. Full information and up-to-date fire testing certificates for ceiling system types are available on JCC.CO.UK
Origin of manufacturer	Made In China
Warranty	2 years standard warranty extends to a 3 year commercial warranty or 5 year domestic warranty when registered within the first year of purchase (See Website for terms and conditions)
Dimming Protocol Compatibility	Triac
Driver Manufacturer	JCC
LED Manufacturer/Type	Hongli
Lighting Product Type 1	Fired Rated Downlights

Electrical

Voltage Rating	230-240
Secondary Running Current	175mA
Operating Frequency Hz	50/60Hz
CC or CV	CC
Luminaire Circuit Wattage	7.5
Sec - Voltage (V)	36VDC
Class	II
Input Electrical Connections	Push Fit Terminals LEN Loop In/Loop Out
Dimmable	Yes
Max No. In Run	20

Thermals

Room Ambient Temperature Not To Exceed	30°C
Insulation Coverage	Loosely Cover with Mineral Wool Insulation
Minimum Void Requirement	50mm

Performance Data

LED Life (Hours)	51000
Hours life stated is an indication of expected L70 chip and light output calculations when operating in optimum conditions. Product warranty period supports the full product during the term given. The L70 hours expectancy is not correlated with the full product warranty term, nor is it a representation of lumen depreciation during the warranty period.	
Energy Rating	This product contains a light source of energy efficiency class F
Actual Lumen Output	600/650
Lumens Per Circuit Watt	80/87

Color Rendering Index	80-89
CRI: Ra	80
Correlated Color Temperature	3000K/4000K
Light Distribution Detail	60-degree
LOR (Light Output Ratio) %	100
Photometry Available	Yes: available on request.

Construction

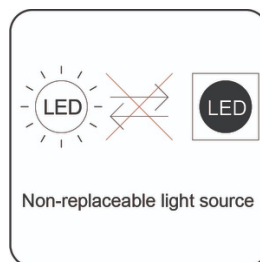
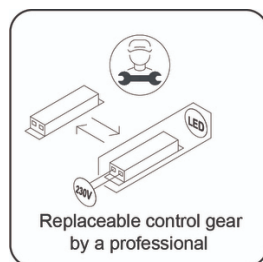
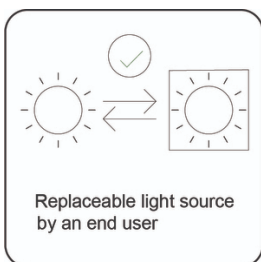
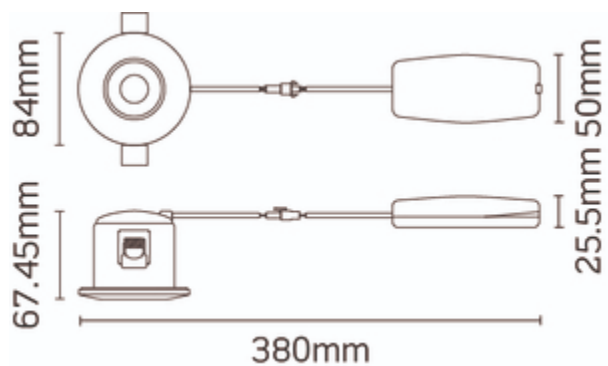
Primary Material	Steel
Lens	PC
Heat Sink	Extruded Aluminium
Driver Housing	Polycarbonate
Rim Or Attachment	Die-cast Aluminium

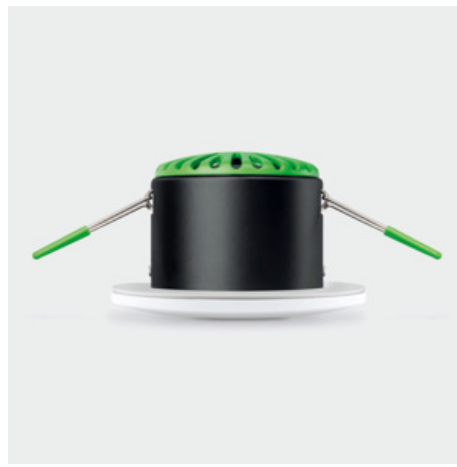
Packaging

Product Packaged Weight	0.4kg
Quantity Per Outer Carton	20
Product Bar Code EAN-13 Number	5052544081200

Standards & Approvals

Manufactured In Accordance To	BS EN 60598:2015, 2-1, 2-2
CE Marked	Yes
UKCA Marked	Yes
Certificate Of Conformity	Yes: available on request.
Accredited Members	LIA, ISO9001:2015, ISO14001:2015





JCC Lighting LTD Innovation Centre, Beeding Close, Southern Cross Trading Estate, Bognor Regis, West Sussex PO22 9TS
Sales: 01243 838999 (8am to 5pm Monday to Friday) Fax: 01243 838998 | sales@jcc.co.uk | www.jcc.co.uk
Company Registration Number: 03044848 | VAT Number: 918544112

This document is uncontrolled if printed, all information is subject to change

Version 103 [09 Jun 2021]