

JC090007

LED Floodlights

50W LED Floodlight +PIR IP65 Manual Override Alu 4000K Black

Features & Benefits

- Highly efficient at 90 Lumens per circuit Watt
- Angled bracket for easy installation
- Driverless technology
- Supplied pre-wired with 800mm flex
- Manual override function
- Full IP65 protection against dust and moisture



CLASS I



RATING



SENSING



WARRANTY



BEAM



CRI:RA

General Information

Product Group

Product Range

Light Source

Light Source Features

Product Shape

Additional Information

Mounting

Product Weight

Color Finish

Overall Dimensions

Floodlight

Domestic Exterior

LED

Neutral White

Rectangular

**Manual override - to operate turn the power OFF/ON/OFF/ON within 3 seconds. To return to automatic PIR operation, turn off power for 5 seconds, then turn power ON.
If the power is off for longer than 15 seconds the Floodlight will light up for 5 seconds before activating automatic PIR detection mode.**

Wall

1.12kg

Black

231.5 x 47 x 277mm

Recommended Product Location	Exterior, general security lighting
Method Of Fix	Mounting Bracket with suitable fixings (not supplied)
IP Rating	IP65
Environment	Outdoor
Origin of manufacturer	China
Warranty	2 years standard warranty extends to 3 years when registered within the first year of purchase (See Website for terms and conditions)
Driver Manufacturer	No driver, mains LED Chips
LED Manufacturer/Type	Optoelectronics 2835
Lighting Product Type 1	Wall Light

Electrical

Voltage Rating	220-240
Primary Running Current	0.19~0.24A
Operating Frequency Hz	50Hz
Luminaire Circuit Wattage	50W
Class	Class I
Total Harmonic Distortion (THD)%	1.853
EMC Compliant (EN55015)	Yes
Power Factor Correction	0.9
Input Electrical Connections	Live, Earth and Neutral
Dimmable	No

Thermals

Operating Temperature Range	-20°C to 40°C
-----------------------------	----------------------

Performance Data

LED Life (Hours)	47000
------------------	--------------

Hours life stated is an indication of expected L70 chip and light output calculations when operating in optimum conditions. Product warranty period supports the full product during the term given. The L70 hours expectancy is not correlated with the full product warranty term, nor is it a representation of lumen depreciation during the warranty period.

Energy Rating	This product contains a light source of energy efficiency class F
Actual Lumen Output	4500
Lumens Per Circuit Watt	90
Standard Deviation Colour Matching - SDCM	<6
Color Rendering Index	50-79
CRI: Ra	70
Correlated Color Temperature	4000K
Light Distribution Detail	110-degree
Photometry Available	Yes

Controls and Sensors

Detection Distance	4-10m
Detection Range	120°
Installation Height	2.5m
Power Consumption	Standby Power Consumption:<0.5W
Time Delay	3s to 8 mins

Construction

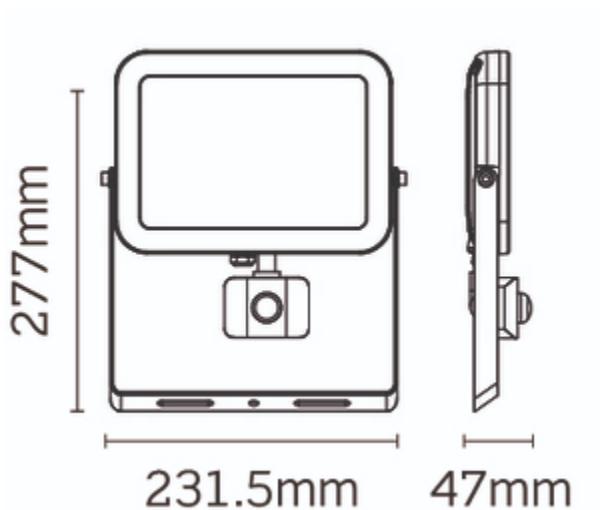
Primary Material	Aluminum
Inner Diffuser	Toughened Glass

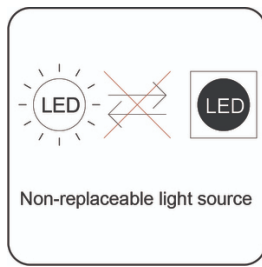
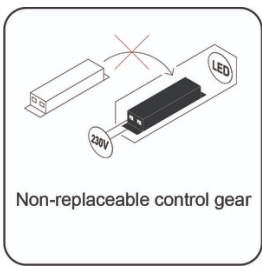
Packaging

Quantity Per Outer Carton	10
Outer carton(L)- cm	49.5
Outer carton(W)- cm	35
Outer carton(H)- cm	31
Outer carton overall dimensions	49.5 x 35 x 31cm
Outer carton Net weight- kg	11.2
Outer carton Gross weight- kg	15.2
Product Bar Code EAN-13 Number	5052544102806
Outer carton Bar Code ITF-14 Number	15052544102803

Standards & Approvals

Manufactured In Accordance To	BS EN 60598-2015,2-1,2-5
CE Marked	Yes
UKCA Marked	Yes
WEEE Symbol	Yes
Certificate Of Conformity	Yes, available on request
Accredited Members	LIA, ISO9001:2015, ISO14001:2015





JCC Lighting LTD Innovation Centre, Beeding Close, Southern Cross Trading Estate, Bognor Regis, West Sussex PO22 9TS
Sales: 01243 838999 (8am to 5pm Monday to Friday) Fax: 01243 838998 | sales@jcc.co.uk | www.jcc.co.uk
Company Registration Number: 03044848 | VAT Number: 918544112

This document is uncontrolled if printed, all information is subject to change

Version 122 [08 Jun 2021]