

JC090004

## LED Floodlights

20W LED Floodlight +PIR IP65 Manual Override Alu 4000K White

### Features & Benefits

- Highly efficient at 105 Lumens per circuit Watt
- Angled bracket for easy installation
- Driverless technology
- Supplied pre-wired with 800mm flex
- Manual override function
- Full IP65 protection against dust and moisture



CLASS I



BEAM  
110°



CRI:RA  
70



SENSING



RATING  
IP  
65



WARRANTY  
3yr

### General Information

Product Group

**Floodlight**

Product Range

**Domestic Exterior**

Light Source

**LED**

Light Source Features

**Neutral White**

Product Shape

**Rectangular**

**Manual override - to operate turn the power OFF/ON/OFF/ON within 3 seconds. To return to automatic PIR operation, turn off power for 5 seconds, then turn power ON. <br/>If the power is off for longer than 15 seconds the Floodlight will light up for 5 seconds before activating automatic PIR detection mode.**

Additional Information

Mounting

**Wall**

Product Weight

**0.68kg**

|                              |  |
|------------------------------|--|
| Color Finish                 | <b>Black</b>   |
| Overall Dimensions           | <b>186 x 46 x 234mm</b>  |
| Recommended Product Location | <b>Exterior, general security lighting</b>   |
| Method Of Fix                | <b>Mounting Bracket with suitable fixings (not supplied)</b>   |
| IP Rating                    | <b>IP65</b>  |
| Environment                  | <b>Outdoor</b>   |
| Origin of manufacturer       | <b>China</b>   |
| Warranty                     | <b>2 years standard warranty extends to 3 years when registered within the first year of purchase (See Website for terms and conditions)</b> |
| Driver Manufacturer          | <b>No driver, mains LED Chips</b>  |
| LED Manufacturer/Type        | <b>Optoelectronics 2835</b>  |
| Lighting Product Type 1      | <b>Wall Light</b>  |

## Electrical

|                                  |                                |
|----------------------------------|--------------------------------|
| Voltage Rating                   | <b>220-240</b>                 |
| Primary Running Current          | <b>0.1~0.13A</b>               |
| Operating Frequency Hz           | <b>50Hz</b>                    |
| Luminaire Circuit Wattage        | <b>20W</b>                     |
| Class                            | <b>Class I</b>                 |
| Total Harmonic Distortion (THD)% | <b>1.856</b>                   |
| EMC Compliant (EN55015)          | <b>Yes</b>                     |
| Power Factor Correction          | <b>0.5</b>                     |
| Input Electrical Connections     | <b>Live, Earth and Neutral</b> |
| Dimmable                         | <b>No</b>                      |

## Thermals

|                             |                      |
|-----------------------------|----------------------|
| Operating Temperature Range | <b>-20°C to 40°C</b> |
|-----------------------------|----------------------|

## Performance Data

|                  |              |
|------------------|--------------|
| LED Life (Hours) | <b>47000</b> |
|------------------|--------------|

Hours life stated is an indication of expected L70 chip and light output calculations when operating in optimum conditions. Product warranty period supports the full product during the term given. The L70 hours expectancy is not correlated with the full product warranty term, nor is it a representation of lumen depreciation during the warranty period.

|   |  |
|---|--|
| Energy Rating                             | <b>This product contains a light source of energy efficiency class F</b> |
| Actual Lumen Output                       | <b>2100</b>  |
| Lumens Per Circuit Watt                   | <b>105</b>   |
| Standard Deviation Colour Matching - SDCM | <b>&lt;6</b>   |
| Color Rendering Index                     | <b>50-79</b>   |
| CRI: Ra                                   | <b>70</b>  |
| Correlated Color Temperature              | <b>4000K</b>   |
| Light Distribution Detail                 | <b>110-degree</b>  |

Photometry Available **Yes**

## Controls and Sensors

Detection Distance **4-10m**  
Detection Range **120°**  
Installation Height **2.5m**  
Power Consumption **Standby Power Consumption:<0.5W**  
Time Delay **3s to 8 mins**

## Construction

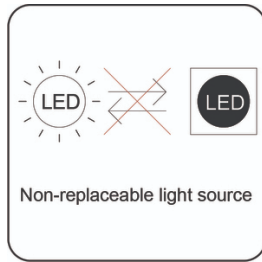
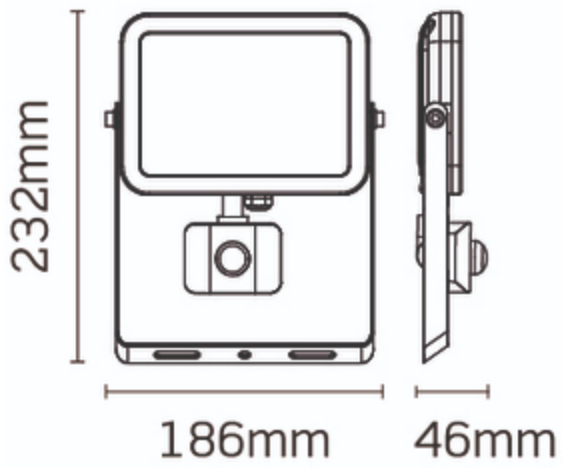
Primary Material **Aluminum**  
Inner Diffuser **Toughened Glass**

## Packaging

Quantity Per Outer Carton **20**  
Outer carton(L)- cm **40.5**  
Outer carton(W)- cm **32.5**  
Outer carton(H)- cm **52.5**  
Outer carton overall dimensions **40.5 x 32.5 x 52.5cm**  
Outer carton Net weight- kg **13.6**  
Outer carton Gross weight- kg **15.1**  
Product Bar Code EAN-13 Number **5052544105319**  
Outer carton Bar Code ITF-14 Number **15052544105316**

## Standards & Approvals

Manufactured In Accordance To **BS EN 60598-2015,2-1,2-5**  
CE Marked **Yes**  
UKCA Marked **Yes**  
WEEE Symbol **Yes**  
Certificate Of Conformity **Yes, available on request**  
Accredited Members **LIA, ISO9001:2015, ISO14001:2015**



---

JCC Lighting LTD Innovation Centre, Beeding Close, Southern Cross Trading Estate, Bognor Regis, West Sussex PO22 9TS  
Sales: 01243 838999 (8am to 5pm Monday to Friday) Fax: 01243 838998 | [sales@jcc.co.uk](mailto:sales@jcc.co.uk) | [www.jcc.co.uk](http://www.jcc.co.uk)  
Company Registration Number: 03044848 | VAT Number: 918544112

This document is uncontrolled if printed, all information is subject to change

Version 119 [08 Jun 2021]