

JC010023/NB

Fireguard Next Generation Tilt Downlight

Fireguard Next Generation Mains Twist and Lock Tilt Can Only IP20 No Bezel



Features & Benefits

- Slim profile, die-cast aluminium bezels
- Designed specifically for LED lamps
- Ultra fast press fit loop-in/loop-out terminal
- Tested for use in fire-rated ceilings
- 15° Tilttable inner bezel
- Complies with 2014 building regulations: Part B, C and E



NOT SUPPLIED



CLASS I



RATING



WARRANTY

General Information

Product Group

Fire-rated downlights

Product Range

Fireguard® Next Generation

Trade Name

Fireguard®

Product Shape

Round

Additional Information

Bezels purchased separately:JC010026/BN -IP20, JC010026/CH -IP20, JC010026/WH-IP20

Mounting

Recessed

Product Weight

0.194kg

Color Finish

No Bezel

Overall Dimensions

115.45 x 100mm

Recommended Product Location

indoor use only

Minimum Void Requirement

150mm

Method Of Fix

Spring clips

Product Aperture Size

85mm

IP Rating

IP20

Environment

Indoor

Suitable For Zones

Outside Zone 2

Lamp Supplied	No
Diffuser / Shade Dimensions (mm)	100
Distance From Lighted Object	0.3m
Duration of Fire protection (Mins)	Tested for use in fire-rated ceilings. Full information and up-to-date fire testing certificates for ceiling system types are available on JCC.CO.UK
Origin of manufacturer	Made in China
Warranty	2 year standard warranty (See Website for terms and conditions)
Lighting Product Type 1	Fired Rated Downlights

Electrical

Voltage Rating	220-240
Operating Frequency Hz	50/60Hz
Luminaire Circuit Wattage	7W LED Max
Class	Class I, earth required
Input Electrical Connections	Live(Brown)Neutral(blue)Earth(yellow/green) - Loop in/Loop out press fit terminal
Dimmable	Check with lamp manufacturer
Lampholder	GU10 cap

Thermals

Room Ambient Temperature	25°C
Insulation Coverage	see instruction sheet
Minimum Void Requirement	150mm

Performance Data

Energy Rating	This product can contain a suitable light source of energy efficiency class from A to G
---------------	--

Construction

Rim Or Attachment	Die-cast aluminium
-------------------	---------------------------

Packaging

Product Packaged Weight	0.201kg
Quantity Per Outer Carton	20
Outer carton(L)- cm	54
Outer carton(W)- cm	23.5
Outer carton(H)- cm	23.5
Outer carton overall dimensions	54.5 x 23.5 x 23.5cm
Outer carton Net weight- kg	4.6kg

Outer carton Gross weight- kg

5.4kg

Product Bar Code EAN-13 Number

5052544105876

Outer carton Bar Code ITF-14 Number

15052544105873

Standards & Approvals

Manufactured In Accordance To

BS EN 60598-2-1, 2-2

CE Marked

Yes

UKCA Marked

Yes

Date code/Purchase order No.

Yes

WEEE Symbol

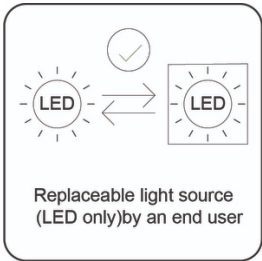
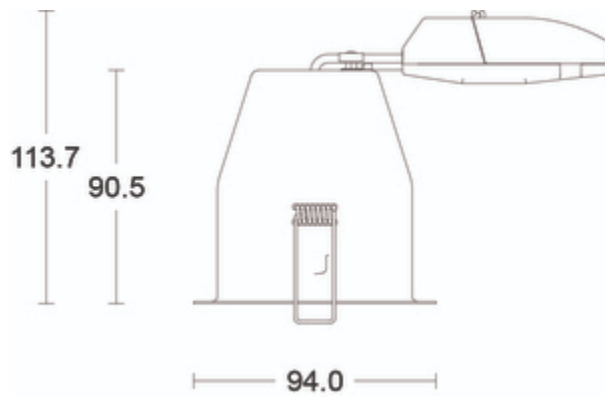
yes

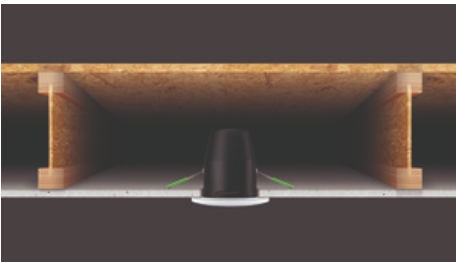
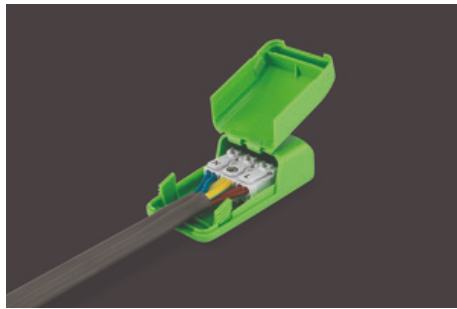
Certificate Of Conformity

Available on request

Accredited Members

LIA, ISO9001:2015, ISO14001:2015





JCC Lighting LTD Innovation Centre, Beeding Close, Southern Cross Trading Estate, Bognor Regis, West Sussex PO22 9TS
Sales: 01243 838999 (8am to 5pm Monday to Friday) Fax: 01243 838998 | sales@jcc.co.uk | www.jcc.co.uk
Company Registration Number: 03044848 | VAT Number: 918544112

This document is uncontrolled if printed, all information is subject to change

Version 68 [23 Apr 2021]