

JC010019/CH

Fireguard Next Generation Accessories

Fireguard Next Generation Mains Twist and Lock Bezel Only IP65 Chrome



Features & Benefits

- Slim profile, die-cast aluminium bezels
- Designed specifically for use with Fireguard Next Generation Cans with LED lamps
- IP20/IP65 and IP20 tilt options

Fireguard.
NEXT GENERATION

General Information

Product Group	LED - Replacement Bezel
Product Range	Fireguard® Next Generation
Trade Name	Fireguard®
Color Finish	Chrome
Overall Dimensions	Ø87 x 4.5mm
Origin of manufacturer	Made In China
Warranty	2 year standard warranty (See Website for terms and conditions)
Lighting Product Type 1	Accessory

Construction

Rim Or Attachment	Die-cast Aluminium
-------------------	---------------------------

Packaging

Quantity Per Outer Carton	200
Outer carton(L)- cm	53
Outer carton(W)- cm	31
Outer carton(H)- cm	20

Outer carton overall dimensions

53 x 31 x 20cm

Outer carton Net weight- kg

11.67

Outer carton Gross weight- kg

10.87

Product Bar Code EAN-13 Number

5052544105937

Outer carton Bar Code ITF-14 Number

15052544105934

Standards & Approvals

Manufactured In Accordance To

BS EN 60598:2015, 2-1

CE Marked

Yes

UKCA Marked

Yes

Date code/Purchase order No.

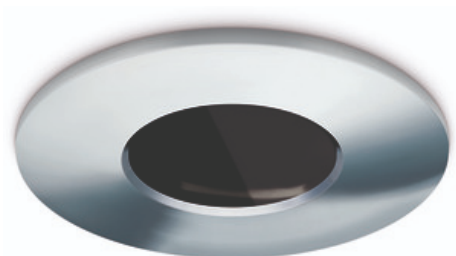
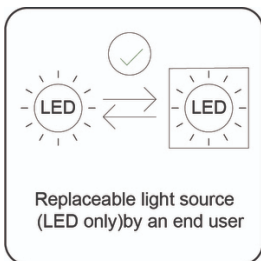
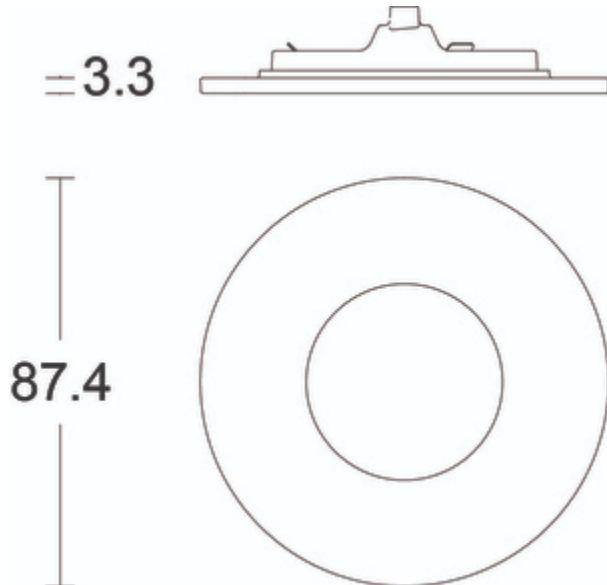
Yes

Certificate Of Conformity

Available on request

Accredited Members

LIA, ISO9001:2015, ISO14001:2015



JCC Lighting LTD Innovation Centre, Beeding Close, Southern Cross Trading Estate, Bognor Regis, West Sussex PO22 9TS
Sales: 01243 838999 (8am to 5pm Monday to Friday) Fax: 01243 838998 | sales@jcc.co.uk | www.jcc.co.uk
Company Registration Number: 03044848 | VAT Number: 918544112

This document is uncontrolled if printed, all information is subject to change

Version 84 [23 Apr 2021]