

GuardCam^{LED}®

COMBINED SECURITY CAMERA LED FLOODLIGHT SYSTEM



www.espuuk.com

Table of contents

- Contents of package 2
- Overview 3
- Installation 5
- Setting the date and time of GuardCam LED 6
- Insert/remove Micro SD Card 7
- Adjusting the Settings 8
- Viewing recorded files 11
- Technical Specifications 11

Contents of package



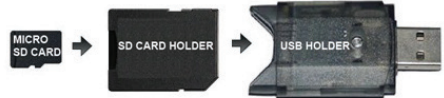
GuardCam LED



User Manual



1 x Allen Key
2 x Screws
2 x Plastic Masonry Plugs



8GB Micro SD Card

Overview

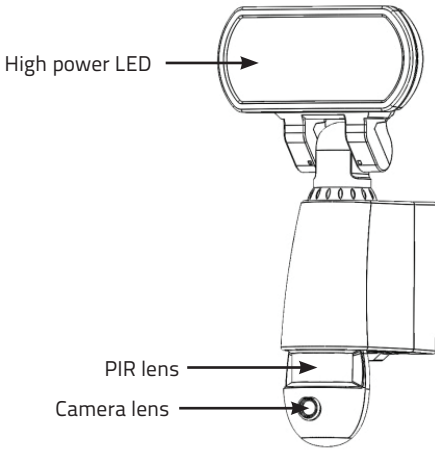


FIG. 1

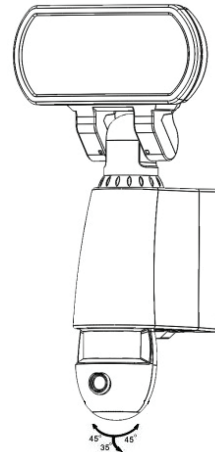


FIG. 2

Installation

IMPORTANT

IF IN ANY DOUBT ABOUT THE INSTALLATION OF THIS PRODUCT, CONSULT A QUALIFIED ELECTRICIAN

- This product must be grounded
- Do not mount the unit against inflammable surfaces
- The motion detector will not operate correctly if it is installed:

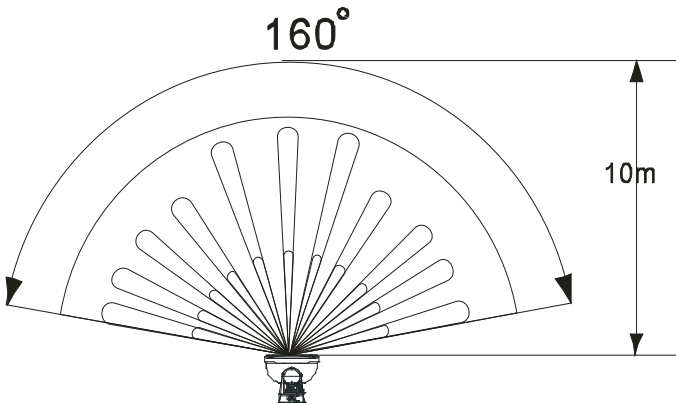
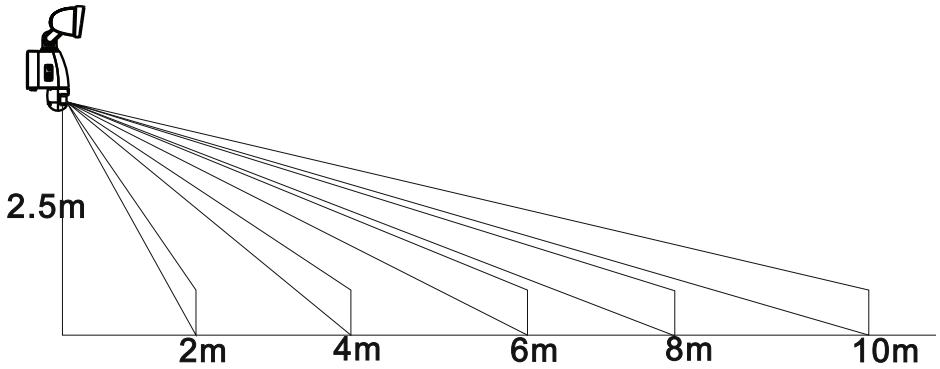
- Near the outlet of a central heating boiler
- Near air conditioning plant
- Pointing directly at moving vehicles
- Within sight of reflections from moving water
- Where other lamps could shine on the detector

BEFORE ATTEMPTING ANY INSTALLATION OR MAINTENANCE, ENSURE THAT THE ELECTRICAL SUPPLY IS SWITCHED OFF AND THE CIRCUIT FUSES REMOVED OR THE CIRCUIT BREAKER IS IN THE OFF POSITION.

Please make sure the voltage and polarity are correct before connection. Incorrect voltage may cause electric shock.

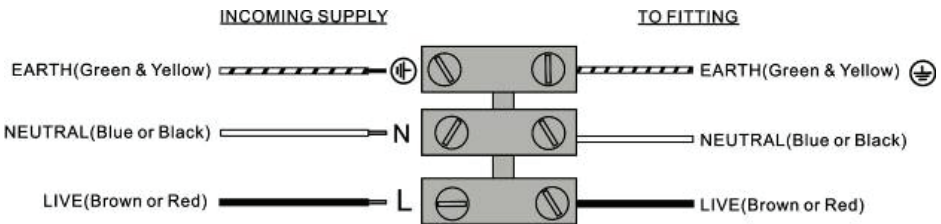
Note: It is recommend to mount 2M above the ground for optimum performance, do not mount the fixture below 1.2M. See below figure for details of performance range.

Detection range: 10M x 160°

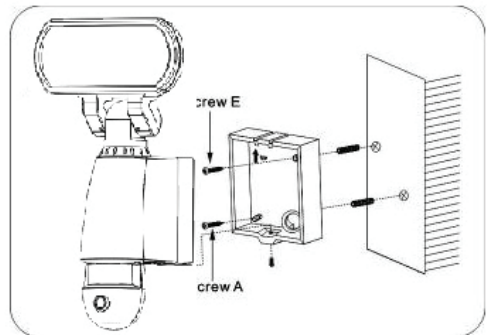
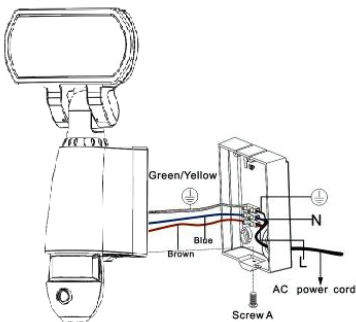


Installing GuardCam LED

1. Place plastic masonry plugs into desired surface aligning holes as shown below. Using an electric screwdriver, fasten mounting plate directly to surface using screws.
2. Feed the cable through the back mounting box and bush the cable entry to avoid abrasion to the cable.
3. Wire the unit as follows: (Ensure all wires are connected securely and that no loose strands are exposed)



4. Make sure the polarity is correct. Double check the connections after wiring. Errors may damage the motion sensor or cause a fire hazard.
5. Attach the unit to the mounting plate. You will first need to angle the unit back so that the catch at the top of the mounting plate fits into slot on the back of the unit. Next lower the unit until holes at the bottom of the mounting plate and unit are flush. Then screw (screw A) into this hole, tightening carefully.



Please allow 1 minute warm-up time after switching on.
* Push the RESET button after switching on.

Setting the Date and Time:

In order for the correct time & date to display on recorded files;

- Take the supplied micro SD card & place it in the SD / USB adaptor
- Place the adaptor in a spare USB port on PC / Laptop
- Go to web link - <https://www.espuk.com/timesetup/>
- The correct time & date will be displayed

2019-01-02
09:33:33

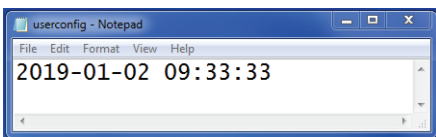
Generate Config

Click 'Generate Config' to produce the 'userconfig.txt' file

Click 'userconfig.txt' to begin download, when complete, save the file to the micro SD card location and re-insert into the GuardcamLED, the date and time will update automatically. The file 'userconfig.txt' will be removed automatically.

If the user can not connect to this link <https://www.espuk.com/timesetup/> please follow these steps;

1. Open Notepad on computer;
 - Input date and time (ex. 2019-01-02 09:33:33)
 - Input 'userconfig' as the file name
 - Choose .txt for the format
 - Save the file

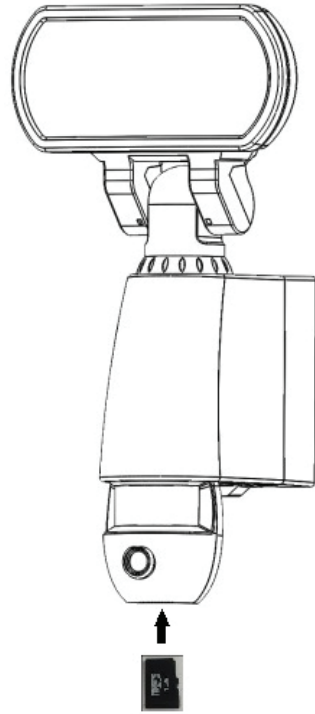


2. Copy userconfig.txt to the root directory of SD card
3. Insert SD card into the card slot, the date and time will update automatically. The file 'userconfig.txt' will be removed automatically.

After the file "userconfig.txt" is saved onto SD card, you should insert this SD card immediately into the lighting no later than 2 minutes otherwise the time will be incorrect.

Insert/remove Micro SD Card:

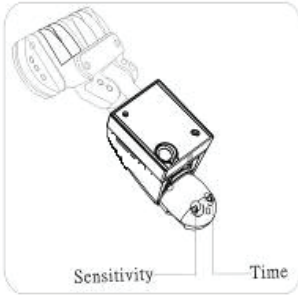
1. Unscrew the underside cover using provided Allen key , then insert the Micro SD card until it automatically locks into place.
2. The Micro SD card is placed at the bottom of the motion sensor. To remove Micro SD card, please push in SD once to eject, then pull out.



Adjusting the Settings

Time Control

Turn the time control to "+" side to increase the illumination time (7 minutes max.), turn the control to '-' side to reduce the illumination time (5 seconds min.).



Sensitivity Control

Adjust the detector range of Passive Infrared Motion Sensor (2M ~ 10M)

Selecting Working Mode:

Mode 1

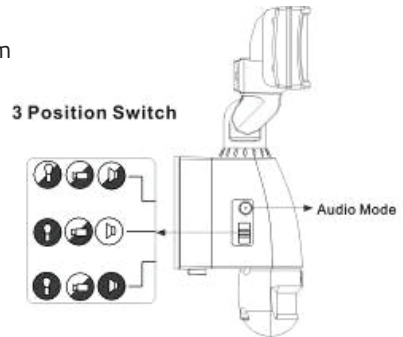
- Light + camera + speaker: all day detection
- Daytime and nighttime: light, camera and speaker are all in operation

Mode 2

- Light at night + camera all day + speaker in the daytime
- Daytime: light is off, camera is on, speaker is on
- Nighttime: light is on, camera is on, speaker is off.

Mode 3

- Light at night + camera all day + speaker at night
- Daytime: light is off, camera is on, speaker is off.
- Nighttime: light is on, camera is on, speaker is on.



Audio Mode

Pre-set default is 'silent mode', push one time for 'pre-recorded message', push again for 'dog barking'.

Push one more time for the message you just recorded.

Reset Button

Restores functions to default settings, press this button in case of system malfunction.

Recording your own messages (see fig. 9)

Guardcam LED will allow you to record two messages of your own for delivery on detection. To achieve a good quality playback it is best practice to make these recordings prior to final installation speaking clearly in an environment free from background noise.

The microphone is located at the base of the unit directly above button A.

Two separate messages may be recorded for a maximum length of 10 seconds each.

To record a message press and hold button A. After the 'bleep' release button A and record your message. When finished press button A again to stop recording, you will here a double confirmation bleep.

To record a second message simply repeat the process.

To check the recorded message/s press and release button B. Should you wish to delete a self-recorded message press and hold button B for 3 seconds, a double bleep will confirm deletion.

NB If you attempt to record a new message without first deleting an old message you will hear a triple error bleep.

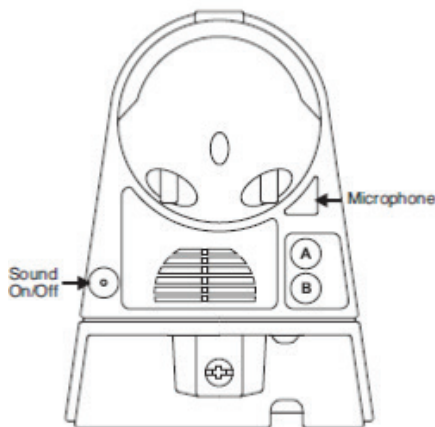


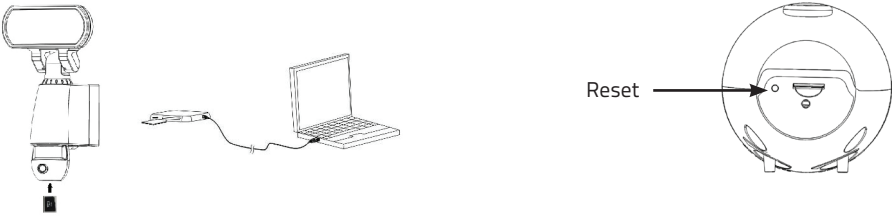
Fig. 9

Viewing Recorded Files

Viewing image by computer through a card reader.

1. Open the PIR housing from the bottom.
2. To remove Micro SD card, please push in SD once to eject, then pull out.
3. Put the Micro SD Card into a card reader, connect PC and card reader by USB cable (not included) and open any media player to view the video.

Reset button: Please press Reset button in case of system malfunction



Technical Specifications

- PIR detection angle 160 Deg and detection range up to 10M
- Records 20 seconds image recording for image stream: 15fps at 720p
- Built in Micro SD Card slot for Micro SD memory card
- Micro SD Card slot for additional storage, max memory size up to 32G
- Micro SD Card spec.: FAT 16(SD), FAT32(SDHC)
- Automatic exposure control, white balance and sharpness
- Auto Date & Time stamp
- Effective viewing angle: 60 deg
- Effective viewing distance: 8M
- Image format: AVI File
- Powered by AC 220V to 240V (subject to requirement)
- Auto light sensor
- Sensitivity control
- Floodlight time delay control

Elite Security Products

Unit 7, Target Park, Shawbank Rd
Lakeside, Redditch B98 8YN



Telephone: 01527 51 51 50

Fax: 01527 51 51 43

email: info@espuk.com

E&OE - Errors and omissions excepted. A18

www.espuk.com