

CONNECTION BOX - CHOC30E

NORSLO

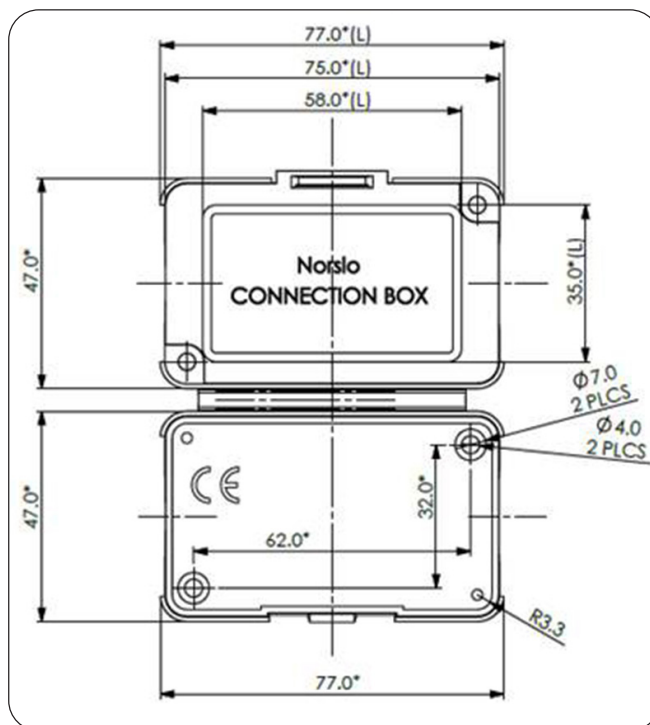
For 2A - 30A terminal Strips

- + For protection of electrical connections
- + Simple One piece base / snap close lid / quick release
- + Suitable for terminal block size 2A to 30A
- + Will pass through a 50mm diameter hole
- + Fully assembled



CHOC30E

BOX Qty 50



CHOC30E

	CHOC30E
Barcode	5012739617164
Rated Voltage	250V
Temperature Range	-5 to 60°C
Box Qty	50
Product Weight	22.5g
Product Finish	Natural Polypropylene
Guarantee	1 Year
Conforms To	BS EN60670-22