



Ledinaire floodlight

BVP154 LED52/840 PSU 50W VWB MDU CE

LED module 5000 lm - 840 neutral white - Power supply unit

The Ledinaire range contains a selection of popular off-the-shelf LED luminaires that come with the Philips high-quality levels at a competitive price. Reliable, energy-efficient and affordable – just what you need.

Product data

General Information	
Lamp family code	LED50 [LED module 5000 lm]
Light source colour	840 neutral white
Light source replaceable	No
Number of gear units	-
Driver/power unit/transformer	PSU [Power supply unit]
Driver included	Yes
Optical cover/lens type	GC [Clear glass]
Luminaire light beam spread	100°
Control interface	-
Connection	Flying leads/wires
Cable	Cable 1.0 m without plug (C1K)
Protection class IEC	Safety class I
Flammability mark	NO [-]
CE mark	CE mark
ENEC mark	-
Warranty period	3 years
Constant light output	No
Number of products on MCB	47
RoHS mark	RoHS mark

LED engine type	LED
Light Technical	
Upward light output ratio	0
Standard tilt angle post-top	0°
Standard tilt angle side entry	0°
Operating and Electrical	
Input voltage	220 to 240 V
Input frequency	50 or 60 Hz
Initial CLO power consumption	- W
Average CLO power consumption	- W
End CLO power consumption	- W
Inrush current	0.9 A
Inrush time	0.01088 ms
Power factor (min.)	0.9
Controls and Dimming	
Dimmable	No

Ledinaire floodlight

Mechanical and Housing

Housing material	Aluminium die-cast
Reflector material	Polycarbonate
Optic material	Polycarbonate
Optical cover/lens material	Glass
Fixation material	Steel
Mounting device	MBA [Mounting bracket adjustable]
Optical cover/lens shape	Flat
Optical cover/lens finish	Clear
Overall length	236 mm
Overall width	38 mm
Overall height	249 mm
Effective projected area	0.048 m ²
Colour	Aluminium and Grey

Approval and Application

Ingress protection code	IP65 [Dust penetration-protected, jet-proof]
Mech. impact protection code	IK07 [2 J reinforced]
Surge protection (common/differential)	Surge protection level until 2 kV

Initial Performance (IEC Compliant)

Initial luminous flux	5250 lm
Luminous flux tolerance	+/-10%

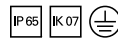
Initial LED luminaire efficacy	105 lm/W
Init. Corr. colour temperature	4000 K
Init. colour rendering index	80
Initial chromaticity	<7 SDCM
Initial input power	50 W
Power consumption tolerance	+/-10%

Application Conditions

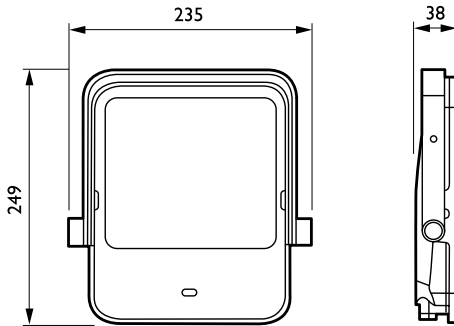
Ambient temperature range	-25 to +40 °C
Maximum dimming level	Not applicable

Product Data

Full product code	871016333136299
Order product name	BVP154 LED52/840 PSU 50W VWB MDU CE
EAN/UPC – product	8710163331362
Order code	33136299
Numerator – quantity per pack	1
Numerator – packs per outer box	6
Material no. (12NC)	911401733382
Net weight (piece)	1.390 kg



Dimensional drawing



Ledinaire floodlight BVP105/106

